



Operator's Manual

Electric Start Capable
2-Cycle Trimmer
TB32 EC

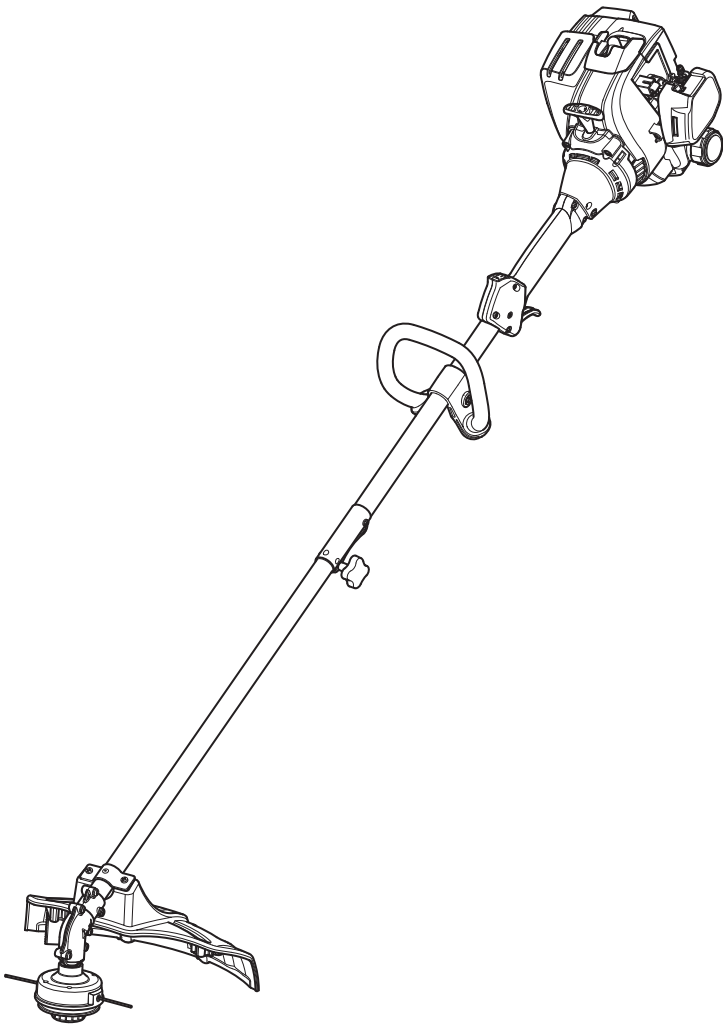


TABLE OF CONTENTS

Service	1
Safety	2
Know Your Unit	5
Specifications	5
Assembly	6
Oil and Fuel	8
Starting and Stopping	9
Operation	11
Maintenance	13
Cleaning and Storage	17
Troubleshooting	18
Warranty	20

SAVE THESE INSTRUCTIONS

SERVICE

DO NOT RETURN THIS UNIT TO THE RETAILER. PROOF OF PURCHASE WILL BE REQUIRED FOR WARRANTY SERVICE.

For assistance regarding the assembly, controls, operation or maintenance of the unit, please call the Customer Support Department at **1-800-828-5500** in the United States or **1-800-668-1238** in Canada. Additional information about the unit can be found on our website: **www.troybilt.com** (U.S.) or **www.troybilt.ca** (Canada).

For service, please call the Customer Support Department to obtain a list of authorized service dealers near you. Service on this unit, both within and after the warranty period, should only be performed by an authorized and approved service dealer. When servicing, use only identical replacement parts.

All information, illustrations, and specifications in this manual are based on the latest product information available at the time of printing. We reserve the right to make changes at any time without notice.

Copyright© 2014 MTD SOUTHWEST INC, All Rights Reserved.

IMPORTANT: Read this manual thoroughly before using this product. Follow all instructions.

SAFETY

The purpose of safety symbols is to attract your attention to possible dangers. The safety symbols, and their explanations, deserve your careful attention and understanding. The safety warnings do not by themselves eliminate any danger. The instructions or warnings they give are not substitutes for proper accident prevention measures.

SYMBOL	MEANING
--------	---------

	DANGER: Signals an EXTREME hazard. Failure to obey a safety DANGER signal WILL result in serious injury or death to yourself or to others.
--	---

	WARNING: Signals a SERIOUS hazard. Failure to obey a safety WARNING signal CAN result in serious injury to yourself or to others.
--	--

	CAUTION: Signals a MODERATE hazard. Failure to obey a safety CAUTION signal MAY result in property damage or injury to yourself or to others.
--	--

NOTE: Advises you of information or instructions vital to the operation or maintenance of the equipment.

SPARK ARRESTOR NOTE


NOTE: For users on U.S. Forest Land and in the states of California, Maine, Oregon and Washington. All U.S. Forest Land and the state of California (Public Resources Codes 4442 and 4443), Oregon and Washington require, by law that certain internal combustion engines operated on forest brush and/or grass-covered areas be equipped with a spark arrestor, maintained in effective working order, or the engine be constructed, equipped and maintained for the prevention of fire. Check with your state or local authorities for regulations pertaining to these requirements. Failure to follow these requirements could subject you to liability or a fine. **This unit is factory equipped with a spark arrestor.** If it requires replacement, contact your local service dealer to install the appropriate muffler assembly.

	CALIFORNIA PROPOSITION 65 WARNING: This product contains a chemical known to the state of California to cause cancer, birth defects or other reproductive harm.
---	--

Read the operator's manual and follow all warnings and safety instructions. Failure to do so can result in serious injury to the operator and/or bystanders.

• IMPORTANT SAFETY INSTRUCTIONS •

READ ALL INSTRUCTIONS BEFORE OPERATING

	WARNING: When using the unit, all safety instructions must be followed. Please read these instructions before operating the unit in order to ensure the safety of the operator and any bystanders. Please keep these instructions for later use.
--	---

- Read the instructions carefully. Be familiar with the controls and proper use of the unit.
- Do not operate this unit when tired, ill or under the influence of alcohol, drugs or medication.
- Children must not operate the unit. Teens must be accompanied and guided by an adult.
- All guards and safety attachments must be installed properly before operating the unit.
- Inspect the unit before use. Replace damaged parts. Check for fuel leaks. Make sure all fasteners are in place and secure. Replace parts that are cracked, chipped, or damaged in any way. Do not operate the unit with loose or damaged parts.
- Only use the trimming line described in the *Specifications* section of this manual. Never use metal-reinforced line, wire, chain or rope. These can break off and become dangerous projectiles.
- Do not replace the cutting head with rigid or metal blades. Doing so could result in serious injury.

- Be aware of risk of injury to the head, hands and feet.
- Carefully inspect the area before starting the unit. Remove rocks, broken glass, nails, wire, string and other objects that may be thrown or become entangled with the unit.
- Clear the area of children, bystanders and pets; keep them outside a 50-foot (15 m) radius, at a minimum. Even then, they are still at risk from thrown objects. Encourage bystanders to wear eye protection. If you are approached, stop the unit immediately.
- Squeeze the throttle control and check that it returns automatically to the idle position. Make all adjustments or repairs before using the unit.
- This unit is intended for occasional, household use only.

SAFETY WARNINGS FOR GAS UNITS



WARNING: Gasoline is highly flammable and its vapors can explode if ignited. Take the following precautions:

- Store fuel only in containers specifically designed and approved for the storage of such materials.
- Always stop the engine and allow it to cool before filling the tank. Never remove the fuel tank cap or add fuel when the engine is hot. Always loosen the fuel tank cap slowly to relieve any pressure in the tank before fueling.
- Always mix and add fuel in a clean, well-ventilated outdoor area where there are no sparks or flames. DO NOT smoke.
- Never operate the unit without the fuel cap securely in place.
- Avoid creating a source of ignition for spilled fuel. Wipe up any spilled fuel from the unit immediately, before starting the unit. Move the unit at least 30 ft. (9.1 m) from the fueling source and site before starting the engine. DO NOT smoke.
- Never start or run the unit inside a closed room or building. Breathing exhaust fumes can kill. Operate this unit only in a well ventilated outdoor area.

WHILE OPERATING

- Wear safety glasses or goggles that meet current ANSI / ISEA Z87.1 standards and are marked as such. Wear ear/hearing protection when operating this unit. Wear a face mask or dust mask if the operation is dusty.
- Wear heavy long pants, boots, gloves and a long sleeve shirt. Do not wear loose clothing, jewelry, short pants, sandals or go barefoot. Secure hair above shoulder level.
- The cutting head shield must always be in place while operating the unit. Do not operate the unit without both trimming lines extended and the proper line installed. Do not extend the trimming line beyond the length of the shield.
- The cutting head should remain stationary when the engine idles. If it does not, refer to *Adjusting the Idle Speed*.
- Adjust the handle to provide the best grip, if applicable.
- Make sure the attachment is not in contact with anything before starting the unit.
- Use the unit only in daylight or good artificial light.
- Avoid accidental starting. Be in the starting position whenever pulling the starter rope. The operator and unit must be in a stable position while starting. Refer to *Starting and Stopping*.
- Use the right tool. Only use this tool for its intended purpose.
- Always hold the unit with both hands when operating. Keep a firm grip on both handles or grips.
- Do not overreach. Always keep proper footing and balance. Take extra care when working on stairs, steep slopes or inclines. To avoid serious injury, do not operate the unit while on a ladder or a roof.
- Keep hands, face, and feet away from all moving parts. Do not touch or try to stop moving parts.
- Do not touch the engine, gear housing or muffler. These parts get extremely hot from operation, even after the unit is turned off.
- Do not operate the unit faster than the speed needed to do the job. Do not run the unit at high speed when not in use.
- Do not force the unit. It will do a better, safer job when used at the intended rate.
- Always stop the unit when operation is delayed or when walking from one location to another.

- Before setting the unit down, always make sure the engine is off and all moving parts have stopped.
- If you strike or become entangled with a foreign object, stop the unit immediately and check for damage. Do not operate the unit before repairing damage. Do not operate the unit with loose or damaged parts.
- Turn the engine to off and disconnect the spark plug for maintenance or repair.
- Use only original equipment manufacturer (OEM) replacement parts and accessories for this unit. These are available from your authorized service dealer. Use of any other parts or accessories could lead to serious injury to the user, or damage to the unit, and void the warranty.
- Keep the unit clean. Carefully remove vegetation and other debris that could block moving parts.
- To reduce fire hazard, replace a faulty muffler and spark arrestor. Keep the engine and muffler free from grass, leaves, excessive grease or carbon build up.
- If the unit starts to vibrate abnormally, stop the unit immediately. Inspect the unit for the cause of the vibration. Vibration is generally an indicator of trouble.







OTHER SAFETY WARNINGS









- Maintain the unit with care.
- All service, other than the maintenance procedures described in this manual, should be performed by an authorized service dealer.
- Never remove, modify or make inoperative any safety device furnished with the unit.
- Before inspecting, servicing, cleaning, storing, transporting or replacing any parts on the unit:
 1. Stop the unit.
 2. Make sure all moving parts have stopped.
 3. Allow the unit to cool.
 4. Disconnect the spark plug wire.
- Secure the unit while transporting.
- Never store the unit with fuel in the tank, inside a building where fumes may reach an open flame (pilot lights, etc.) or sparks (switches, electrical motors, etc.).
- Store the unit in a dry place, secured or at a height to prevent unauthorized use or damage. Keep the unit out of the reach of children.
- Never douse or squirt the unit with water or any other liquid. Keep handles dry and clean (free from debris, oil and grease). Clean the unit after each use. Refer to *Cleaning and Storage*. Do not use solvents or strong detergents.
- Keep these instructions. Refer to them often and use them to instruct other users. If you loan this unit to others, also loan them these instructions.

SAVE THESE INSTRUCTIONS

• SAFETY & INTERNATIONAL SYMBOLS •

This operator's manual describes safety and international symbols and pictographs that may appear on this product. Read the operator's manual for complete safety, assembly, operating and maintenance and repair information.

SYMBOL	MEANING
	<ul style="list-style-type: none"> • SAFETY ALERT SYMBOL Indicates danger, warning or caution. May be used in conjunction with other symbols or pictographs.
	<ul style="list-style-type: none"> • READ OPERATOR'S MANUAL WARNING: Read the operator's manual(s) and follow all warnings and safety instructions. Failure to do so can result in serious injury to the operator and/or bystanders.
	<ul style="list-style-type: none"> • WEAR EYE AND HEARING PROTECTION WARNING: Thrown objects and loud noise can cause severe eye injury and hearing loss. Wear eye protection meeting current ANSI / ISEA Z87.1 standards and ear protection when operating this unit. Use a full face shield when needed.
	<ul style="list-style-type: none"> • UNLEADED FUEL Always use clean, fresh unleaded fuel.
	<ul style="list-style-type: none"> • OIL Refer to operator's manual for the proper type of oil.
	<ul style="list-style-type: none"> • DO NOT USE E85 FUEL IN THIS UNIT WARNING: It has been proven that fuel containing greater than 10% ethanol will likely damage this engine and void the warranty.

SYMBOL	MEANING
	<ul style="list-style-type: none"> • ON/OFF STOP CONTROL ON / START / RUN
	<ul style="list-style-type: none"> • ON/OFF STOP CONTROL OFF or STOP
	<ul style="list-style-type: none"> • PRIMER BULB Push primer bulb, fully and slowly, 10 times.
	<ul style="list-style-type: none"> • CHOKE CONTROL <ol style="list-style-type: none"> • FULL choke position • PARTIAL choke position • RUN choke position
	<ul style="list-style-type: none"> • THROWN OBJECTS AND ROTATING CUTTER CAN CAUSE SEVERE INJURY WARNING: Small objects can be propelled at high speed, causing injury. Keep away from the rotating rotor.
	<ul style="list-style-type: none"> • KEEP BYSTANDERS AWAY WARNING: Keep all bystanders, especially children and pets, at least 50 feet (15 m) from the operating area.
	<ul style="list-style-type: none"> • HOT SURFACE WARNING: Do not touch a hot muffler or cylinder. You may get burned. These parts get extremely hot from operation. When turned off, they remain hot for a short time.
	<ul style="list-style-type: none"> • SHARP BLADE WARNING: Sharp blade on trimmer attachment shield. To prevent serious injury, do not touch the line cutting blade.

KNOW YOUR UNIT

APPLICATIONS

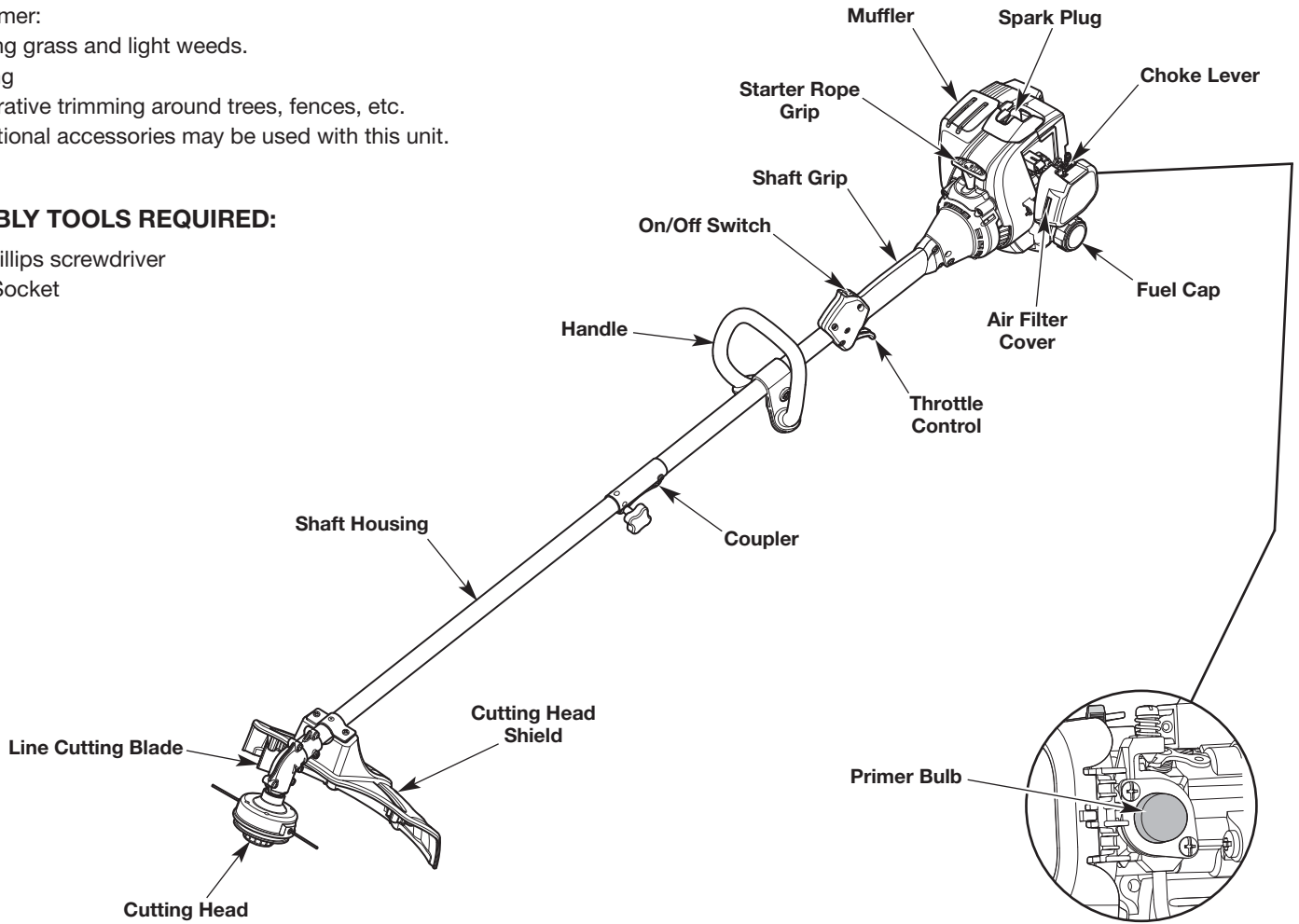
As a trimmer:

- Cutting grass and light weeds.
- Edging
- Decorative trimming around trees, fences, etc.

Other optional accessories may be used with this unit.

ASSEMBLY TOOLS REQUIRED:

- #2 Phillips screwdriver
- 3/8" Socket



SPECIFICATIONS*

Engine Type	Air-Cooled, 2-Cycle
Displacement	25 cc (1.52 cu. in.)
Spark Plug Gap	0.025 in. (0.635 mm)
Spark Plug	Champion® RDJ7J or equivalent plug
Lubrication	Fuel/Oil Mixture
Fuel/Oil Ratio	40:1
Fuel Tank Capacity	10 oz. (296 ml)
Approximate Unit Weight (No fuel)	12 - 13 lbs. (5.4 - 5.9 kg)
Trimmer Mechanism	Bump Head
Trimming Line	0.095 inches (2.41 mm)
Cutting Path Diameter	17 in. (43.2 cm)

* All specifications are based on the latest product information available at the time of printing. We reserve the right to make changes at any time without notice.

ASSEMBLY

INSTALLING THE CUTTING HEAD SHIELD



WARNING: To prevent serious personal injury, never operate the unit without the cutting head shield in place.

1. Place the cutting head shield onto the mount bracket. Align the holes in the cutting head shield with the holes in the mount bracket. (Fig. 1)
2. Screw the 2 screws through the mount bracket and into the cutting head shield until finger tight.
3. Using a #2 Phillips screwdriver, tighten the screws until the cutting head shield is firmly in place. Tighten the screws equally. The gap between the mount bracket and the cutting head shield should be the same on each side.

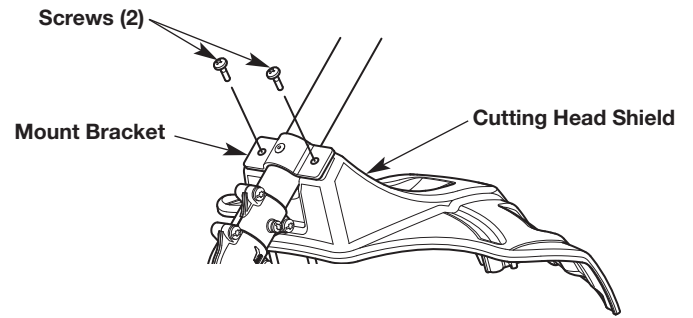


Fig. 1

INSTALLING AND ADJUSTING THE HANDLE

Installing the Handle

1. Push the handle down onto the shaft housing (Fig. 2). The bolt hole in the handle should be to the right.
2. Insert the bolt into the bolt hole and push it through (Fig. 2). Tighten the bolt with a 3/8" socket, but do not tighten the bolt completely.
3. While holding the unit in the operating position (Fig. 10), move the handle to the location that provides the best grip. Place it a minimum of 6 inches (15.24 cm) from the end of the shaft grip (Fig. 2).
4. Tighten the bolt with a 3/8" socket until the handle is secure.

Adjusting the Handle

If the handle requires adjustment:

1. Loosen the bolt with a 3/8" socket (Fig. 2).
2. While holding the unit in the operating position (Fig. 10), move the handle to the location that provides the best grip. Place it a minimum of 6 inches (15.24 cm) from the end of the shaft grip (Fig. 2).
3. Tighten the bolt with a 3/8" socket until the handle is secure.

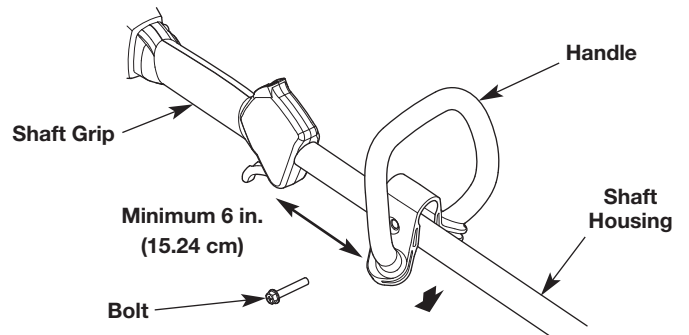


Fig. 2



WARNING: Before using any attachment, read and understand the manual that came with the attachment. Follow all safety information contained within.



WARNING: To avoid serious personal injury and damage to the unit, shut the unit off before removing or installing an attachment.

OPERATING THE COUPLER

The coupler enables the use of various optional attachments.

Installing the Attachment

1. Remove the cap from the attachment. If present, remove the gray spacer from the coupler.
2. Set the unit on a flat, level surface.
3. Turn the knob counterclockwise to loosen the coupler (Fig. 3).
4. Align the release button with the guide recess (Fig. 5).
5. Push the attachment straight into the coupler (Fig. 4) until the release button snaps firmly into the primary hole (Fig. 5).
6. Turn the knob clockwise to tighten the coupler (Fig. 3).



CAUTION: Before operating the unit, make sure the release button is fully snapped into the primary hole and the knob is securely tightened.



CAUTION: Unless specified otherwise, the release button should be snapped into the primary hole only. Using the wrong hole could lead to personal injury or damage to the unit.

Removing the Attachment

1. Set the unit on a flat, level surface.
2. Turn the knob counterclockwise to loosen the coupler (Fig. 3).
3. Press and hold the release button (Fig. 5).
4. Pull the attachment straight out of the coupler (Fig. 4).

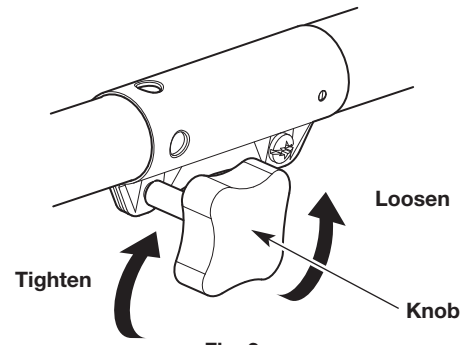


Fig. 3

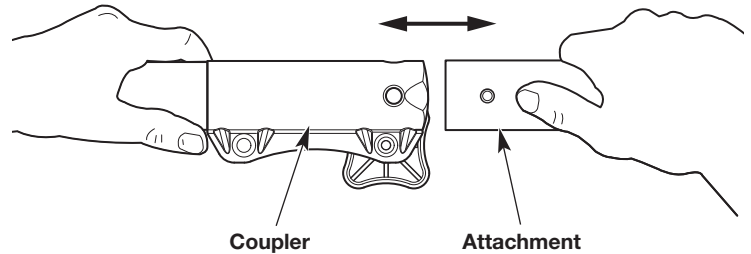


Fig. 4

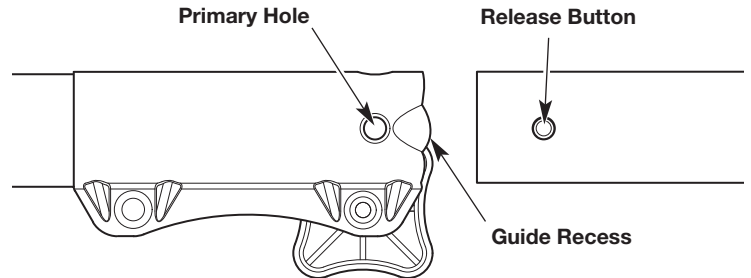


Fig. 5

OIL AND FUEL

OIL AND FUEL MIXING INSTRUCTIONS

The use of old and/or improperly mixed fuel is the most common cause of performance problems. Use only fresh, clean unleaded gasoline. Follow the instructions carefully for the proper gasoline/oil mixture.

Definition of Blended Fuels


Today's fuels are often a blend of gasoline and oxygenates such as ethanol, methanol or MTBE (ether). Alcohol-blended fuel absorbs water. As little as 1% water in the fuel can make fuel and oil separate, forming acids when stored. ALWAYS use fresh fuel (less than 30 days old).

NOTE: Dispose of old fuel according to federal, state and local regulations.

Using Blended Fuels

If using a blended fuel:

- Always use the fresh fuel mix explained in your operator's manual
- Use the fuel additive STA-BIL® or an equivalent
- Always agitate the fuel mix before fueling the unit
- Drain the tank and run the engine dry before storing the unit


	WARNING: DO NOT USE E85 FUEL IN THIS UNIT. It has been proven that fuel containing greater than 10% ethanol will likely damage this engine and void the warranty.
--	--

Using Fuel Additives



The bottle of 2-cycle oil provided with this unit contains a fuel additive to help inhibit corrosion and minimize gum deposits. Always use the brand of 2-cycle oil that came with this unit. If this is unavailable, use a 2-cycle oil designed for air-cooled engines and mix it with a fuel additive, such as STA-BIL Fuel Stabilizer or an equivalent. Add 0.8 oz. (23 ml) of fuel additive per gallon of fuel, according to the instructions on the container. NEVER add fuel additives directly to the unit's fuel tank.

Mixing the Fuel

NOTE: This unit comes with a 3.2 oz. (95 ml) bottle of 2-cycle oil. To obtain the correct fuel mixture described below, pour the entire bottle into one gallon of unleaded gasoline.


	CAUTION: For proper engine operation and maximum reliability, pay strict attention to the gasoline and oil mixing instructions on the 2-cycle oil bottle. Using improperly mixed fuel can severely damage the engine.
--	--


Thoroughly mix the proper ratio of unleaded gasoline with 2-cycle engine oil. Do not mix them directly in the unit's fuel tank. Use a separate fuel can. Use a 40:1 gasoline/oil ratio. See the table below for specific gasoline and oil mixing ratios.


	
Unleaded gasoline	2-cycle oil
1 gallon U.S. (3.8 liters)	3.2 fl. oz. (95 ml)
1 liter	25 ml

MIXING RATIO - 40:1

FUELING THE UNIT

	WARNING: Gasoline is extremely flammable. Ignited vapors may explode. Always stop the engine and allow it to cool before filling the fuel tank. Do not smoke while filling the tank. Keep sparks and open flames at a distance from the area.
---	--

	WARNING: Remove the fuel cap slowly to avoid injury from fuel spray. Never operate the unit without the fuel cap securely in place.
---	--

	WARNING: Add fuel in a clean, well ventilated outdoor area. Wipe up any spilled fuel immediately. Avoid creating a source of ignition for spilled fuel. Do not start the engine until fuel vapors dissipate.
---	---

1. Position the unit with the fuel cap facing up.
2. Remove the fuel cap.
3. Place the fuel container spout into the fill hole on the fuel tank and fill the tank.

NOTE: Do not overfill the tank.

4. Wipe up any fuel that may have spilled.
5. Reinstall the fuel cap.
6. Move the unit at least 30 ft. (9.1 m) from the fuel container and the fueling site before starting the engine.

STARTING AND STOPPING



WARNING: Operate this unit only in a well-ventilated outdoor area. Carbon monoxide exhaust fumes can be lethal in a confined area.



WARNING: Avoid accidentally starting the unit. To avoid serious injury, the operator and the unit must be in a stable position when pulling the starter rope (Fig. 8).

STARTING INSTRUCTIONS

1. Mix gasoline with oil. Refer to *Oil and Fuel Mixing Instructions*.
2. Fill the fuel tank. Refer to *Fueling the Unit*.

NOTE: There is no need to turn the unit on. The On/Off switch is in the ON (I) position at all times (Fig. 6).

3. Slowly press and release the primer bulb **10 times** (Fig. 7). If fuel cannot be seen in the primer bulb, press and release the primer bulb until fuel is visible.
4. Move the choke lever to **Position 1** (Fig. 7).
5. Crouch in the starting position (Fig. 8).

NOTE: **SQUEEZE** and **HOLD** the throttle control for **ALL** further steps.

6. Squeeze the throttle control (Fig. 6) and pull the starter rope with a controlled and steady motion **5 times** (Fig. 8).
7. Continue to squeeze the throttle control. Move the choke lever to **Position 2** (Fig. 7).
8. Continue to squeeze the throttle control. Pull the starter rope with a controlled and steady motion **3 to 5 times** to start the engine.
9. Continue to squeeze the throttle control. Allow the engine to warm up for 30 to 60 seconds.
10. Continue to squeeze the throttle control. Move the choke lever to **Position 3** (Fig. 7) and continue warming the engine for an additional 60 seconds. The unit may be used during this time.

NOTE: The engine is properly warmed up when it accelerates without hesitation.

IF... the engine hesitates, return the choke lever to **Position 2** (Fig. 7) and continue the warm-up.

IF... the engine does not start, begin the starting procedure with step 3.

IF... the engine fails to start after a few attempts, move the choke lever to **Position 3** and squeeze the throttle control. Pull the starter rope with a controlled and steady motion **3 to 8 times**. The engine should start. If it does not, repeat this instruction.

IF... the engine is already warm, begin the starting procedure with step 7.

STOPPING INSTRUCTIONS

1. Release the throttle control and allow the engine to idle.
2. Press and hold the On/Off switch in the OFF (O) position until the engine comes to a complete stop (Fig. 6).

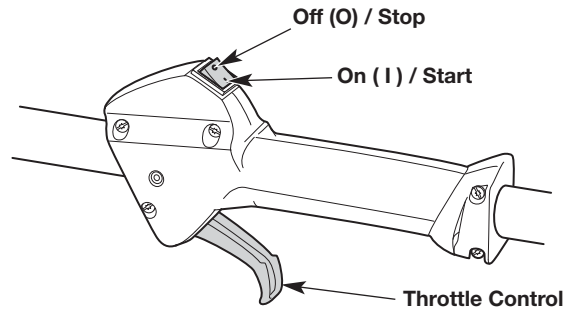


Fig. 6

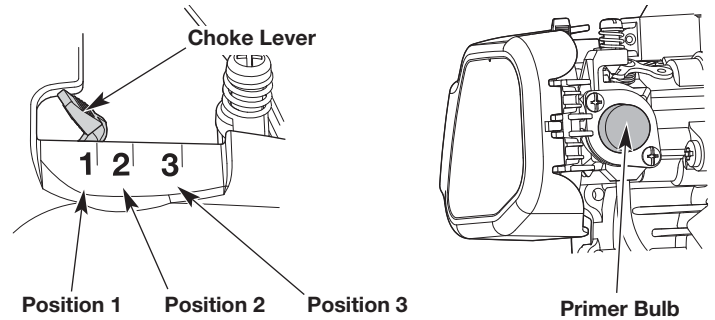


Fig. 7

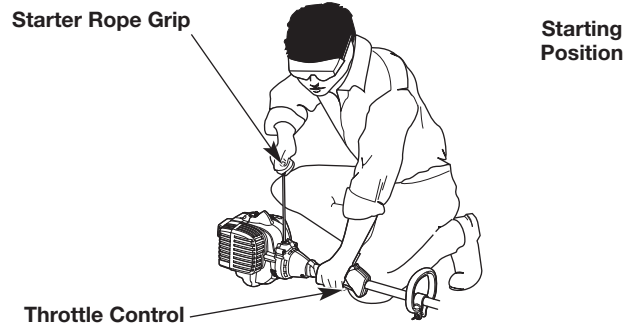


Fig. 8

USING THE ELECTRIC START ACCESSORY

This unit can be started with an optional electric start accessory (items sold separately). Refer to the electric start accessory operator's manual for the proper use of this feature.

Please contact your local retailer, call the Customer Support Department or visit our website for more information.

Item No.

Item No.	Description
49M2027P966	Electric Starter
49MESCBP966	Engine Starter Bit
49MRBESY966	Cordless Electric Starter

Description

STARTING INSTRUCTIONS

1. Mix gasoline with oil. Refer to *Oil and Fuel Mixing Instructions*.
2. Fill the fuel tank. Refer to *Fueling the Unit*.

NOTE: There is no need to turn the unit on. The On/Off switch is in the ON (I) position at all times (Fig. 6).

3. Slowly press and release the primer bulb **10 times** (Fig. 7). If fuel cannot be seen in the primer bulb, press and release the primer bulb until fuel is visible.
4. Move the choke lever to **Position 1** (Fig. 7).
5. Crouch in the starting position (Fig. 8).
6. Insert the electric start accessory into the electric start port (Fig. 9). Refer to the *Operation* section of the electric start accessory operator's manual.

NOTE: **SQUEEZE** and **HOLD** the throttle control for **ALL** further steps.

7. Squeeze and hold the throttle control (Fig. 6). Run the electric start accessory for 2 seconds.
8. Continue to squeeze the throttle control. Move the choke lever to **Position 2** (Fig. 7).
9. Continue to squeeze the throttle control. Run the electric start accessory in intervals no longer than 2 seconds each until the unit starts.
10. Remove the electric start accessory from the unit.
11. Continue to squeeze the throttle control. Allow the engine to warm up for 30 to 60 seconds.
12. Continue to squeeze the throttle control. Move the choke lever to **Position 3** (Fig. 7) and continue warming the engine for an additional 60 seconds. The unit may be used during this time.

NOTE: The engine is properly warmed up when it accelerates without hesitation.

IF... the engine hesitates, return the choke lever to **Position 2** (Fig. 7) and continue the warm-up.

IF... the engine does not start, begin the starting procedure with step 3.

IF... the engine fails to start after a few attempts, move the choke lever to **Position 3** and squeeze the throttle control. Run the electric start accessory in intervals no longer than 2 seconds each until the unit starts. The engine should start. If it does not, repeat this instruction.

IF... the engine is already warm, begin the starting procedure with step 8.

STOPPING INSTRUCTIONS

1. Release the throttle control and allow the engine to idle.
2. Press and hold the On/Off switch in the OFF (O) position until the engine comes to a complete stop (Fig. 6).

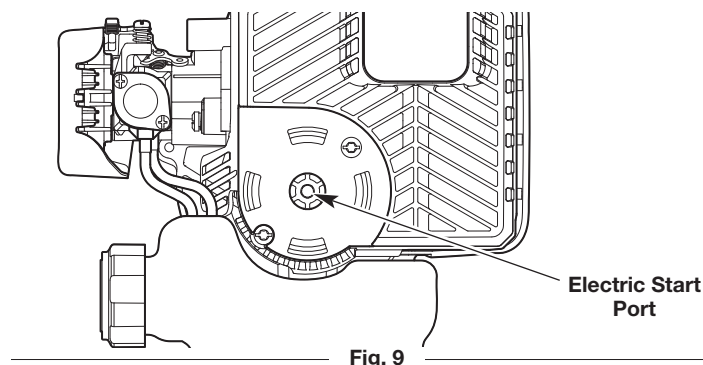


Fig. 9

OPERATION

HOLDING THE UNIT



WARNING: Always wear eye, hearing, hand, foot and body protection to reduce the risk of injury when operating this unit.



WARNING: To prevent serious personal injury, avoid arm contact with the engine while operating the unit. The engine may be extremely hot.

- Stand in the operating position (Fig. 10). Stand up straight. Do not bend over.
- Keep feet apart and firmly planted.
- Hold the shaft grip with the right hand. Keep the right arm slightly bent.
- Hold the handle with the left hand. Keep the left arm straight.
- Hold the unit at waist level.
- Position the cutting head a few inches above the ground.



Fig. 10

ADJUSTING THE TRIMMING LINE LENGTH

This unit is equipped with a bump head. Trimming line can be released from the cutting head without stopping the engine.

To release more line, lightly tap the bump knob on the ground (Fig. 11) while operating the unit at high speed. For best results, tap the bump knob on bare ground or hard soil. Attempting to release line in tall grass may stall the engine.

NOTE: Do not rest the cutting head on the ground while the unit is running.

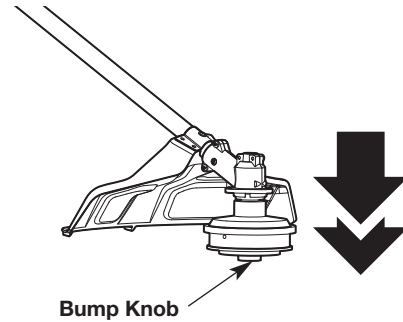
Each time the bump knob is tapped, about 1 inch (25.4 mm) of trimming line is released.

NOTE: Always keep the trimming line fully extended. Line release becomes more difficult when the cutting line gets shorter.

A blade in the cutting head shield will cut the line to the proper length if any excess line is released.



CAUTION: Do not remove or alter the line cutting blade assembly. Excessive line length will make the unit overheat. This may lead to serious personal injury or damage to the unit.



Bump Knob

Fig. 11

TIPS FOR BEST RESULTS

- To direct clippings away from the operator, tilt the cutting head slightly down to the left; cut from right to left whenever possible.
- Do not trim wet grass or weeds.

NOTE: Some line breakage will occur from:

- Entanglement with foreign matter
- Normal line fatigue
- Attempting to cut thick vegetation
- Forcing the line into objects such as walls or fence posts

DECORATIVE TRIMMING

When trimming around trees, posts, fences, etc., rotate the whole unit so that the cutting head is at a 30° angle to the ground (Fig. 12).

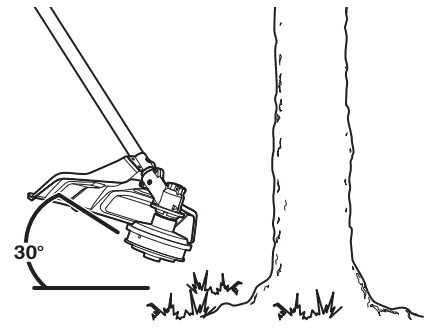



Fig. 12

EDGING


The trimmer attachment can be used for edging (Fig. 13). Alternatively, bladed lawn edger attachments can also be purchased for use with this unit.

Rotating the Trimmer Attachment

	WARNING: To avoid serious personal injury and damage to the unit, shut the unit off before rotating the attachment.
--	--

When edging around sidewalks, flowerbeds, etc., rotate the trimmer attachment 90° inside the coupler. **DO NOT** rotate the entire unit 90°.

1. Turn the knob counterclockwise to loosen the coupler (Fig. 3). Refer to *Operating the Coupler* in the *Assembly* section.
2. Press and hold the release button (Fig. 5).
3. Rotate the attachment until the release button snaps firmly into the 90° edging hole (Fig. 14).
4. Turn the knob clockwise to tighten the coupler (Fig. 3).

	CAUTION: Only snap the release button into the 90° edging hole when edging with the trimmer attachment. Using the 90° edging hole with other attachments could lead to personal injury or damage to the unit.
--	--

Maintaining the Trimming Line

Hard surfaces, such as sidewalks, can cause the trimming line to wear down quickly or break.

- Frequently check and adjust the trimming line length. Refer to *Adjusting the Trimming Line Length*. Always keep the trimming line fully extended.
- **DO NOT** force the unit. Make shallow cuts in as many passes as are necessary to achieve the desired depth. Cut at a slow, even pace.

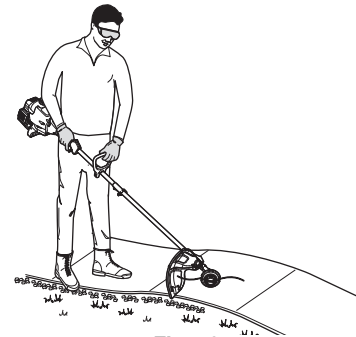
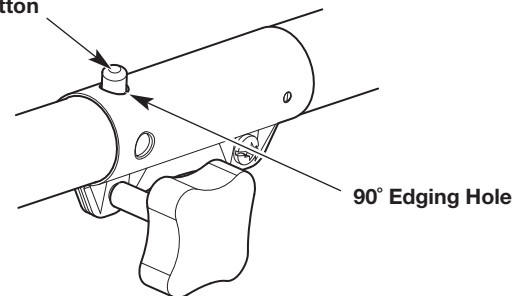


Fig. 13

Release Button



90° Edging Hole

Fig. 14

MAINTENANCE



WARNING: To prevent serious injury, never perform maintenance or repairs while the unit is running. Always allow the unit to cool before servicing or repairing the unit. Disconnect the spark plug wire to prevent the unit from starting accidentally.

MAINTENANCE SCHEDULE

Perform these required maintenance procedures at the frequency stated in the table. These procedures should also be a part of any seasonal tune-up.

NOTE: Some maintenance procedures may require special tools or skills. If you are unsure about these procedures, take the unit to an MTD authorized service dealer.

NOTE: Maintenance, replacement, or repair of the emission control devices and system may be performed by an MTD authorized service dealer.

NOTE: Please read the California/EPA statement that came with the unit for a complete listing of terms and coverage for the emissions control devices, such as the spark arrestor, muffler, carburetor, etc.

FREQUENCY	MAINTENANCE REQUIRED
Every 10 hours	<ul style="list-style-type: none"> Clean and re-oil the air filter. Refer to <i>Maintaining the Air Filter</i>.
Every 25 hours	<ul style="list-style-type: none"> Check the spark plug condition and gap. Refer to <i>Maintaining the Spark Plug</i>.

REPLACING THE TRIMMING LINE

Only use the trimming line described in the *Specifications* section. Other types of trimming line may cause the unit to overheat or fail.



WARNING: Never use metal-reinforced line, wire, chain or rope. These can break off and become dangerous projectiles.

NOTE: Always use the correct line length when installing trimming line. The line may not release properly if the line is too long.

Part 1 - Removing the Inner Reel

1. Hold the outer spool with one hand and unscrew the bump knob counterclockwise (Fig. 15).

NOTE: The outer spool will remain attached to the unit.

2. Inspect the bolt inside the bump knob to make sure it moves freely. Replace the bump knob if it is damaged.
3. Remove the inner reel from the outer spool (Fig. 16).
4. Remove the spring from the inner reel (Fig. 16).
5. Use a clean cloth to clean the inner reel, spring, shaft and inner surface of the outer spool.
6. Check the indexing teeth and holding slots for wear (Fig. 17). If necessary, remove burrs or replace the inner reel and outer spool.

Proceed to Part 2 - Winding New Trimming Line onto the Inner Reel.

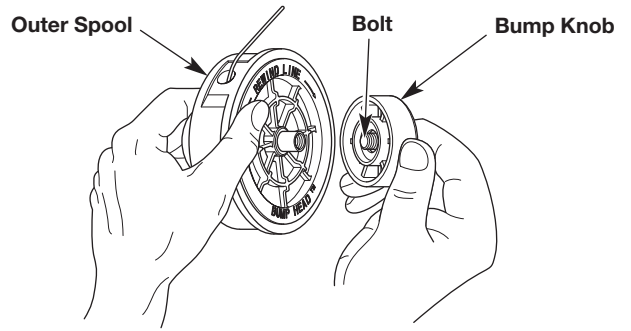


Fig. 15

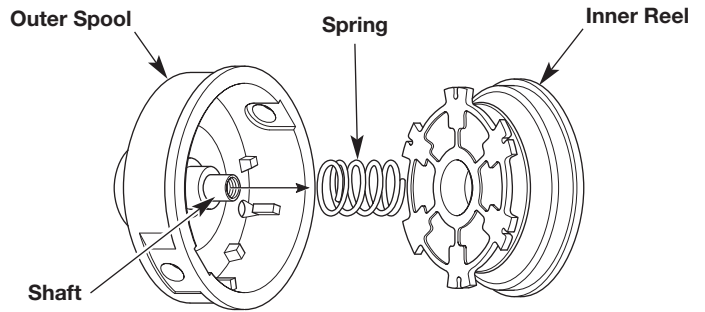


Fig. 16

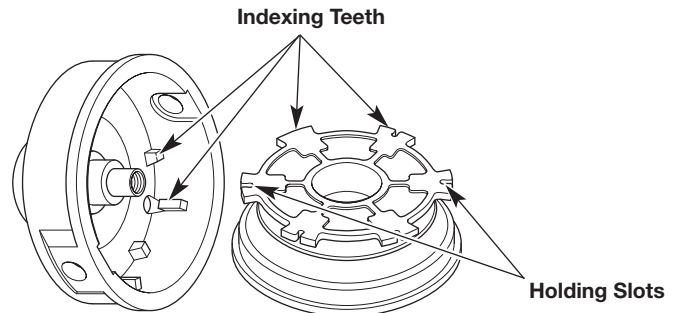


Fig. 17

Part 2 - Winding New Trimming Line onto the Inner Reel

- If using single line, refer to *Winding Single Line*.
- If using split line, refer to *Winding Split Line*.
- If using a prewound inner reel, proceed to *Part 3 - Installing the Inner Reel*.

Winding Single Line

1. Cut one 12-foot (3.7 m) length of new single trimming line. Fold the line in half to create a loop in the middle.
2. Insert the loop into the slot in the split wall (Fig. 18). Wind the line tightly in the direction shown on the bottom of the inner reel until about 6 inches (150 mm) of line remains. Keep the top half of the line above the split wall and the bottom half of the line below the split wall.
3. Insert the two 6-inch sections into the two .095 holding slots (Fig. 20).

NOTE: Failure to wind the line in the direction indicated will cause the cutting head to operate incorrectly.

Proceed to *Part 3 - Installing the Inner Reel*.

Winding Split Line

1. Cut one 6-foot (1.8 m) length of new split line trimming line. Split each end about 6 inches (150 mm).
2. Using one split end, insert one line into the top hole and the other line into the bottom hole in the inner reel (Fig. 19).
3. Wind the line tightly in the direction shown on the bottom of the inner reel. The split wall will automatically divide the line. Wind the line until it is completely divided and about 6 inches (150 mm) of line remains.

NOTE: Failure to wind the line in the direction indicated will cause the cutting head to operate incorrectly.

4. Insert the two 6-inch sections into the two .095 holding slots (Fig. 20).

Proceed to *Part 3 - Installing the Inner Reel*.

Part 3 - Installing the Inner Reel

1. Pass the two line ends through the eyelets in the outer spool. Place the spring inside the inner reel. Insert the inner reel into the outer spool. Push the inner reel and outer spool together (Fig. 21).

NOTE: The spring must be assembled on the inner reel before reassembling the cutting head.

2. While holding the inner reel and outer spool together, firmly pull the two line ends to release them from the holding slots.
3. While holding the inner reel and outer spool together, screw the bump knob on clockwise. Tighten the bump knob securely.

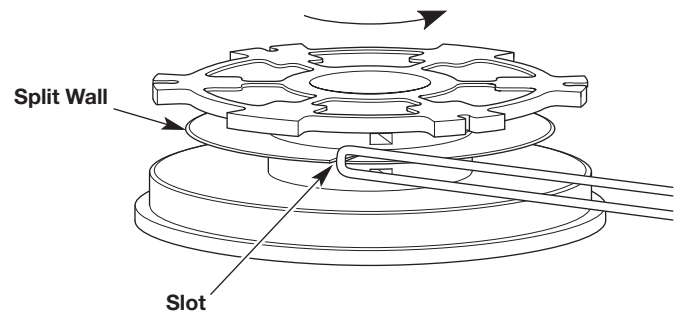


Fig. 18

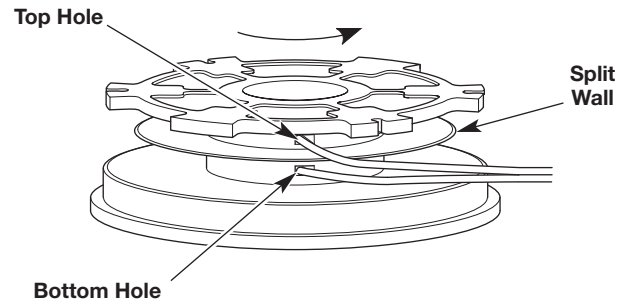


Fig. 19

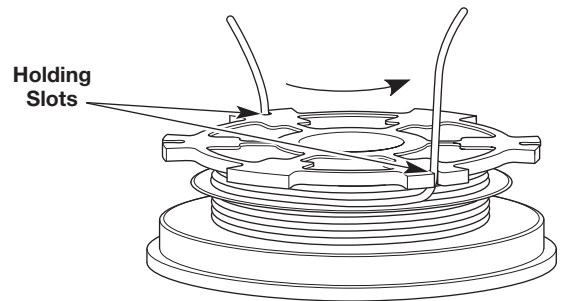


Fig. 20

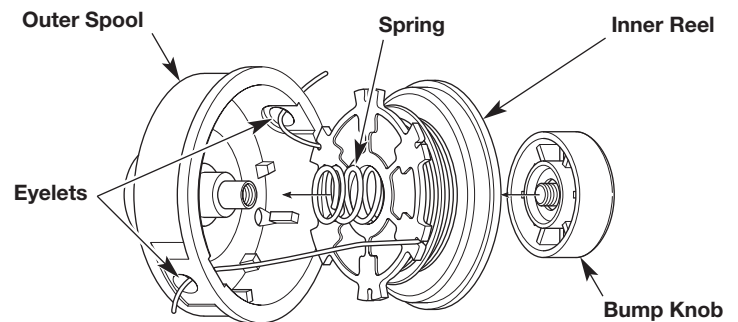


Fig. 21

MAINTAINING THE AIR FILTER



WARNING: To avoid serious personal injury, always stop the engine and allow it to cool before cleaning or maintaining the unit.

Failure to maintain the air filter can result in poor performance or can cause permanent damage to the engine. Engine failure due to improper air filter maintenance is not covered by the product warranty.

Cleaning the Air Filter

1. Open the air filter cover: press in the lock tab and swing the air filter cover to the right (Fig. 22).
2. Remove the air filter from inside the air filter cover (Fig. 22).
3. Wash the air filter in detergent and water. Rinse the air filter thoroughly and allow it to dry.
4. Lightly coat the air filter with clean SAE 30 oil.
5. Squeeze the air filter to spread and remove excess oil.
6. Reinstall the air filter inside the air filter cover (Fig. 22).

NOTE: Operating the unit without the air filter and air filter cover will VOID the warranty.

7. Close the air filter cover: swing the air filter cover to the left and press it closed until the lock tab snaps into place (Fig. 22).

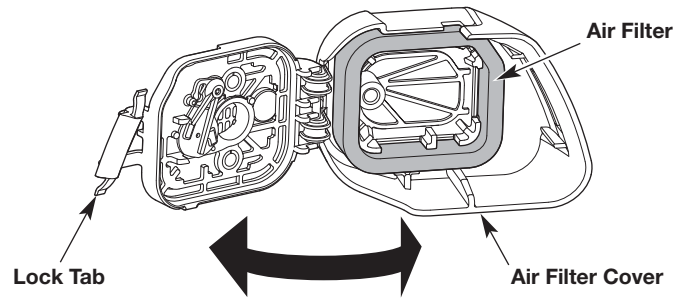


Fig. 22

ADJUSTING THE IDLE SPEED



WARNING: The cutting head may spin during idle speed adjustments. Wear protective clothing and observe all safety instructions to prevent serious personal injury.

If the engine will not idle properly:

1. Drain the fuel tank and add fresh, properly-mixed fuel. Refer to *Oil and Fuel*.
2. Clean the air filter. Refer to *Maintaining the Air Filter*.

If the engine still will not idle properly, adjust the idle speed:

1. Start the engine. Refer to *Starting and Stopping*.
2. Release the throttle control and let the engine idle.
 - If the engine stops, increase the idle speed. Use a small Phillips screwdriver to turn the idle speed screw clockwise, 1/8 of a turn at a time, until the engine idles smoothly (Fig. 23).
 - If the cutting head spins when the engine idles, reduce the idle speed. Turn the idle speed screw counterclockwise, 1/8 of a turn at a time, until the cutting head stops moving (Fig. 23).

If the engine still will not idle properly, and any of the following conditions are true, take the unit to an authorized service dealer:

- the engine hesitates or stalls on acceleration
- there is a loss of engine power

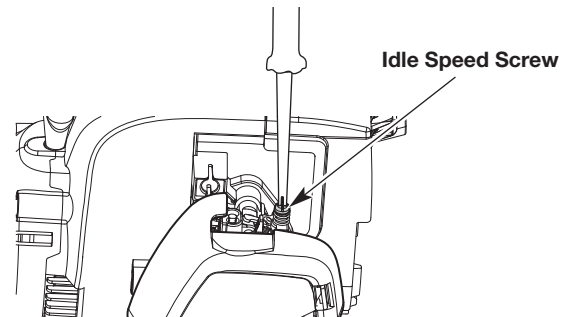


Fig. 23

MAINTAINING THE SPARK PLUG

1. Stop the engine and allow it to cool. Grasp the spark plug boot firmly and pull it from the spark plug.
2. Clean around the spark plug. Remove the spark plug from the cylinder head with a 5/8-inch socket, turning counterclockwise.



WARNING: Do not sand blast, scrape or clean spark plug electrodes. Grit in the engine could damage the cylinder.

3. Inspect the spark plug. If the spark plug is cracked, fouled or dirty, replace it with replacement part #753-06193, a **Champion RDJ7J** or an equivalent spark plug.
4. Use a feeler gauge to set the air gap at **0.025 in. (0.635 mm)** (Fig. 24).
5. Install the spark plug in the cylinder head. Tighten the spark plug with a 5/8-inch socket, turning it clockwise until snug.

NOTE: If using a torque wrench, torque to:

110-120 in.•lb. (12.3-13.5 N•m). Do not over tighten.

6. Reattach the spark plug boot.

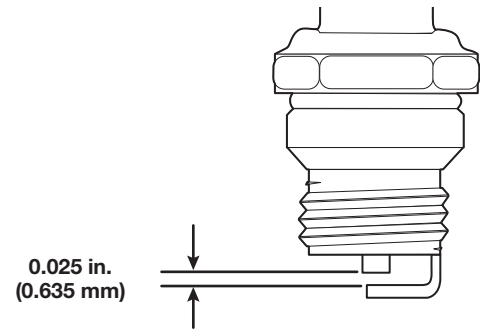


Fig. 24

CLEANING AND STORAGE

CLEANING



WARNING: To avoid serious personal injury, always stop the engine and allow it to cool before cleaning or maintaining the unit.

Use a small brush to clean the outside of the unit. Do not use strong detergents. Household cleaners that contain aromatic oils such as pine and lemon, and solvents such as kerosene, can damage plastic. Wipe off any moisture with a soft cloth.

STORAGE

- Never store a fueled unit where fumes may reach an open flame or spark.
- Allow the engine to cool before storing.
- Lock up the unit to prevent unauthorized use or damage.
- Store the unit in a dry, well-ventilated area.
- Store the unit out of the reach of children.

Short-term Storage (1-2 weeks)

1. Store the unit in a horizontal position. If this is not possible, store the unit vertically with the engine at the top.

Long-term Storage

1. Remove the fuel cap, tip the unit and drain the fuel into an approved container. Reinstall the fuel cap.
2. Start the engine and allow it to run until it stalls. This ensures that all fuel has been drained from the carburetor.
3. Allow the engine to cool. Remove the spark plug and put 5 drops of any high-quality motor oil or 2-cycle oil into the cylinder. Pull the starter rope slowly to distribute the oil. Reinstall the spark plug.
4. Thoroughly clean the unit and inspect it for any loose or damaged parts. Repair or replace damaged parts and tighten loose screws, nuts or bolts.

Preparing the Unit for Use after Long-term Storage

1. Remove the spark plug and drain all of the oil from the cylinder.

NOTE: Do not use fuel that has been stored for more than 30 days. Dispose of old fuel according to federal, state and local regulations.

TROUBLESHOOTING

PROBLEM	SOLUTION
THE ENGINE WILL NOT START	
The fuel tank is empty	Fill the fuel tank with properly mixed fuel
The primer bulb was not pressed enough	Press the primer bulb 10 times or until fuel is visible
The engine is flooded	Move the choke lever to Position 3, squeeze the throttle control and pull the starter rope
The fuel is old (over 30 days) and/or improperly mixed	Drain the fuel tank and add fresh, properly-mixed fuel
The spark plug is fouled	Replace the spark plug
THE ENGINE WILL NOT IDLE	
The air filter is dirty	Clean or replace the air filter
The fuel is old (over 30 days) and/or improperly mixed	Drain the fuel tank and add fresh, properly-mixed fuel
The idle speed is incorrect	Adjust the idle speed
THE ENGINE WILL NOT ACCELERATE	
The fuel is old (over 30 days) and/or improperly mixed	Drain the fuel tank and add fresh, properly-mixed fuel
The cutting head is bound with grass	Stop the engine and clean the cutting head
The air filter is dirty	Clean or replace the air filter
THE ENGINE LACKS POWER OR STALLS	
The fuel is old (over 30 days) and/or improperly mixed	Drain the fuel tank and add fresh, properly-mixed fuel
The air filter is dirty	Clean or replace the air filter
The spark plug is fouled	Replace the spark plug
THE CUTTING HEAD WILL NOT ADVANCE LINE	
The cutting head is bound with grass	Stop the engine and clean the cutting head
The cutting head is out of line	Refill the cutting head with new line
The inner reel is bound up	Rewind the line
The cutting head is dirty	Clean the inner reel and outer spool
The line is welded	Open the cutting head and remove the welded section
The line is twisted	Rewind the line
Not enough line is extended	Stop the unit, push the bump knob and pull the line until 4 inches (102 mm) is outside of the cutting head
THE CUTTING LINE ADVANCES UNCONTROLLABLY	
There is oil, cleaner or lubricant in the cutting head	Clean and thoroughly dry the cutting head

If further assistance is required, contact an authorized service dealer.

MANUFACTURER'S LIMITED WARRANTY FOR:



The limited warranty set forth below is given by Troy-Bilt LLC (Troy-Bilt) with respect to new merchandise purchased and used in the United States, its possessions and territories.

Troy-Bilt warrants this product against defects in material and workmanship for a period of two (2) years commencing on the date of original purchase and will, at its option, repair or replace, free of charge, any part found to be defective in material or workmanship. This limited warranty shall only apply if this product has been operated and maintained in accordance with the Operator's Manual furnished with the product, and has not been subject to misuse, abuse, commercial use, neglect, accident, improper maintenance, alteration, vandalism, theft, fire, water or damage because of other peril or natural disaster. Damage resulting from the installation or use of any accessory or attachment not approved by Troy-Bilt for use with the product(s) covered by this manual will void your warranty as to any resulting damage. This warranty is limited to ninety (90) days from the date of original retail purchase for any Troy-Bilt product that is used for rental or commercial purposes, or any other income-producing purpose.

HOW TO OBTAIN SERVICE: Warranty service is available, WITH PROOF OF PURCHASE THROUGH YOUR LOCAL AUTHORIZED SERVICE DEALER. To locate the dealer in your area, visit our website at www.troybilt.com or www.troybilt.ca, check for a listing in the Yellow Pages, call **1-800-828-5500** in the United States or **1-800-668-1238** in Canada, or write to P.O. Box 361131, Cleveland, OH 44136-0019. No product returned directly to the factory will be accepted unless prior written permission has been extended by the Customer Service Department of Troy-Bilt.

This limited warranty does not provide coverage in the following cases:

- A. Tune-ups - Spark Plugs, Carburetor Adjustments, Filters
- B. Wear items - Bump Knobs, Outer Spools, Cutting Line, Inner Reels, Starter Pulley, Starter Ropes, Drive Belts, Saw Chains, Guide Bars, Cultivator Tines, Blades.
- C. Troy-Bilt does not extend any warranty for products sold or exported outside of the United States of America, its possessions and territories, except those sold through Troy-Bilt's authorized channels of export distribution.

Troy-Bilt reserves the right to change or improve the design of any Troy-Bilt Product without assuming any obligation to modify any product previously manufactured.

No implied warranty, including any implied warranty of merchantability or fitness for a particular purpose, applies after the applicable period of express written warranty above as to the parts as identified. No other express warranty or guaranty, whether written or oral, except as mentioned above, given by any person or entity, including a dealer or retailer, with respect to any product shall bind Troy-Bilt. During the period of the Warranty, the exclusive remedy is repair or replacement of the product as set forth above. (Some states do not allow limitations on how long an implied warranty lasts, so the above limitation may not apply to you.)

The provisions as set forth in this Warranty provide the sole and exclusive remedy arising from the sales. Troy-Bilt shall not be liable for incidental or consequential loss or damages including, without limitation, expenses incurred for substitute or replacement lawn care services, for transportation or for related expenses, or for rental expenses to temporarily replace a warranted product. (Some states do not allow limitations on how long an implied warranty lasts, so the above limitation may not apply to you.)

In no event shall recovery of any kind be greater than the amount of the purchase price of the product sold. Alteration of the safety features of the product shall void this Warranty. You assume the risk and liability for loss, damage, or injury to you and your property and/or to others and their property arising out of the use or misuse or inability to use the product.

This limited warranty shall not extend to anyone other than the original purchaser, original lessee or the person for whom it was purchased as a gift.

How State Law Relates to this Warranty: This warranty gives you specific legal rights, and you may also have other rights which vary from state to state.

To locate your nearest service dealer, dial **1-800-828-5500** in the United States or **1-800-668-1238** in Canada.

TROY-BILT LLC

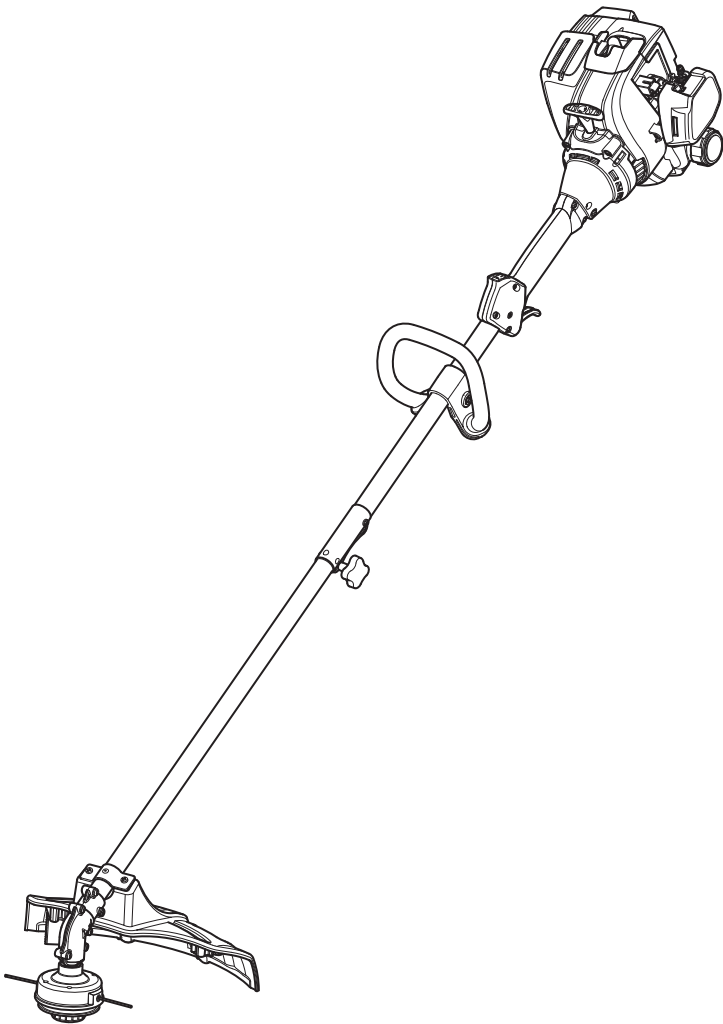
P.O. Box 361131
Cleveland, OH 44136-0019



Manual del Operador

Recortadora de 2 ciclos con capacidad para arranque eléctrico

TB32 EC



ÍNDICE

Reparación y mantenimiento	.21
Seguridad	.22
Conozca su unidad	.25
Especificaciones	.25
Montaje	.26
Aceite y combustible	.28
Arranque y parada	.29
Funcionamiento	.31
Mantenimiento	.33
Limpieza y almacenamiento	.37
Solución de problemas	.38
Garantía	.40

GUARDE ESTAS INSTRUCCIONES

REPARACIÓN Y MANTENIMIENTO

NO DEVUELVA ESTA UNIDAD AL DISTRIBUIDOR. SE EXIGIRÁ COMPROBANTE DE COMPRA PARA LAS REPARACIONES Y EL MANTENIMIENTO QUE CUBRE LA GARANTÍA.

Por ayuda en relación con el montaje, los controles, el funcionamiento o el mantenimiento de la unidad, llame al Departamento de Asistencia al Cliente al **1-800-828-5500** en los Estados Unidos o al **1-800-668-1238** en Canadá. Se puede encontrar información adicional sobre la unidad en nuestro sitio web: **www.troybilt.com** (EE. UU.) o **www.troybilt.ca** (Canadá).

Por reparaciones y mantenimiento, llame al Departamento de Asistencia al Cliente a fin de obtener la lista de distribuidores de servicio autorizados de su zona. La reparación y el mantenimiento de la presente unidad, tanto dentro del período de la garantía como después de él, sólo debe realizarlos un distribuidor de servicio autorizado y aprobado. Cuando le dé servicio use únicamente piezas de reemplazo idénticas.

Toda la información, las ilustraciones y las especificaciones que se incluyen en el presente manual se basan en la información más reciente sobre el producto disponible al momento de la impresión. Nos reservamos el derecho a realizar cambios en cualquier momento sin previo aviso.


Copyright© 2014 MTD SOUTHWEST INC, Todos los derechos reservados.

IMPORTANTE: Lea este manual por completo antes de utilizar este producto. Siga todas las instrucciones.

SEGURIDAD

El objetivo de los símbolos de seguridad es dirigir su atención hacia posibles peligros. Los símbolos de seguridad, así como sus explicaciones, necesitan su atención y comprensión completas. Las advertencias de seguridad no eliminan por sí mismas ningún peligro. Las instrucciones o advertencias que contienen no reemplazan a las medidas adecuadas de prevención de accidentes.

SÍMBOLOS SIGNIFICADO

 **PELIGRO:** Indica un peligro EXTREMO.
Si no se cumple una advertencia de seguridad de **PELIGRO** usted mismo u otras personas sufrirán lesiones graves o la muerte.


 **ADVERTENCIA:** Indica un peligro GRAVE.
Si no se cumple una **ADVERTENCIA** de seguridad usted mismo u otras personas **PUEDEN** sufrir lesiones graves.

 **PRECAUCIÓN:** Indica un peligro de GRAVEDAD MODERADA.
Si no se cumple una señal de seguridad de **PRECAUCIÓN** usted mismo o a otras personas **PUEDEN** sufrir lesiones o se **PUEDEN** producir daños materiales.

NOTA: Proporciona información o instrucciones de vital importancia para el funcionamiento o el mantenimiento del equipo.

NOTA SOBRE EL AMORTIGUADOR DE CHISPAS

NOTA: Para usuarios de los territorios de bosques de EE. UU. y de los estados de California, Maine, Oregon y Washington. Todos los territorios de bosques de EE. UU. y los estados de California (Códigos de Recursos Públicos 4442 y 4443), Oregon y Washington exigen por ley, que determinados motores de combustión interna que se operan en zonas cubiertas por malezas de bosque y/o hierbas cuenten con un amortiguador de chispas que se deberá mantener en condiciones de uso adecuadas o que el motor se diseñe, equipe y mantenga para prevenir incendios. Corrobore con las autoridades estatales o locales cuáles son las normativas correspondientes a dichas exigencias. El incumplimiento de dichos requerimientos podría generarle una responsabilidad o una multa. **La presente unidad se equipa en la fábrica con un amortiguador de chispas.** Si requiere reemplazo, póngase en contacto con su representante local de servicio para instalar el conjunto de silenciador adecuado.

 **PROPOSICIÓN 65 DEL ESTADO DE CALIFORNIA**
ADVERTENCIA: Este producto contiene una sustancia química que según el Estado de California puede producir cáncer, defectos de nacimiento u otros problemas reproductivos.

Lea el manual del operador y siga todas las advertencias e instrucciones de seguridad. Si no lo hace, el operador y/o los observadores pueden sufrir lesiones graves.

• INSTRUCCIONES DE SEGURIDAD IMPORTANTES •

LEA TODAS LAS INSTRUCCIONES ANTES DE USAR LA UNIDAD

 **ADVERTENCIA:** Se deben respetar todas las instrucciones de seguridad al usar la unidad. Por favor, lea estas instrucciones antes de utilizar la unidad para garantizar la seguridad del operador y los observadores. Por favor, guarde estas instrucciones para su uso posterior.

- Lea las instrucciones con atención. Debe familiarizarse con los controles y con el uso apropiado de la unidad.
- No opere esta unidad si está cansado, enfermo o bajo la influencia de alcohol, drogas o medicamentos.
- La unidad no debe ser utilizada por niños. Los adolescentes deben contar con la compañía y guía de un adulto.
- Se deben instalar correctamente todos los protectores y accesorios de seguridad antes de operar la unidad.
- Inspeccione la unidad antes de usarla. Reemplace las piezas dañadas. Compruebe si hay pérdidas de combustible. Compruebe que todas las sujeciones estén en su lugar y bien ajustadas. Reemplace las piezas que estén agrietadas, astilladas o dañadas de cualquier manera. No utilice la unidad si hay piezas sueltas o dañadas.
- Use únicamente el hilo de recorte que se describe en la sección *Especificaciones* de este manual. Nunca use un hilo, un cable, una cadena o una cuerda de metal reforzados. Podrían separarse y convertirse en proyectiles peligrosos.
- No cambie el cabezal de corte por cuchillas rígidas o de metal. Si lo hace, podría provocar lesiones graves.
- Tenga en cuenta el riesgo de lesiones en la cabeza, las manos y los pies.
- Inspeccione el área con atención antes de arrancar la unidad. Extraiga las rocas, los vidrios rotos, los clavos, los cables, cordeles y demás objetos que podrían ser arrojados o enredarse en la unidad.
- Despeje la zona de niños, observadores y mascotas; manténgalos fuera de un radio de 50 pies (15 m), como mínimo. Incluso a esa distancia, sigue el riesgo de ser alcanzados por los objetos arrojados por el aire. Sugiera a los observadores que usen protección ocular. Si alguien se le aproxima, detenga la unidad de inmediato.
- Apriete el control del acelerador y verifique que vuelva automáticamente a la posición de ralentí. Realice todos los ajustes o las reparaciones antes de usar la unidad.
- Esta unidad está diseñada para uso ocasional, para el hogar únicamente.

ADVERTENCIAS DE SEGURIDAD PARA LAS UNIDADES A GASOLINA



ADVERTENCIA: La gasolina es sumamente inflamable y sus vapores pueden explotar si se encienden. Adopte las siguientes precauciones:

- Almacene el combustible únicamente en recipientes diseñados específicamente y aprobados para el almacenamiento de dichos materiales.
- Detenga siempre el motor y déjelo enfriar antes de llenar el depósito. Nunca retire la tapa del depósito de combustible ni agregue combustible cuando el motor esté caliente. Afloje siempre lentamente la tapa del depósito de combustible para descargar la presión que haya en el depósito antes de recargar combustible.
- Mezcle y agregue siempre combustible en una zona al aire libre, limpia y bien ventilada, en la que no haya chispas ni llamas. NO fume.
- Nunca opere la unidad si la tapa del combustible no está bien sujeta en su lugar.
- Evite que se genere una fuente de encendido para el combustible derramado. Limpie de inmediato el combustible derramado de la unidad, antes de encenderla. Mueva la unidad al menos 30 pies (9.1m) de la fuente de combustible y del sitio antes de arrancar el motor. NO fume.
- Nunca arranque ni use la unidad dentro de una habitación o de una construcción cerrada. La inhalación de humos de escape puede ser mortal. Opere esta unidad únicamente en una zona bien ventilada, al aire libre.

DURANTE LA OPERACIÓN

- Utilice anteojos o antiparras de seguridad que cumplan con las normas ANSI / ISEA Z87.1 vigentes y que tengan la identificación correspondiente. Utilice una protección auditiva al operar esta unidad. Utilice una máscara facial o para polvos si la máquina levanta polvo durante su funcionamiento.
- Use pantalones largos y gruesos, botas, guantes y camisa de mangas largas. No use ropa holgada, alhajas, pantalones cortos, sandalias ni ande descalzo. Sujétese el cabello a nivel de los hombros.
- El protector del cabezal de corte siempre debe estar colocado mientras se opera la unidad. No utilice la unidad si no están extendidos ambos hilos de recorte y si no está instalado el hilo adecuado. No extienda el hilo de recorte más allá de la longitud del protector.
- El cabezal de corte debe permanecer fijo cuando el motor funciona al ralentí. Si no funciona, consulte *Ajuste de la velocidad de ralentí*.
- Ajuste la manija para que brinde el mejor agarre, si corresponde.
- Compruebe que el accesorio no esté en contacto con nada antes de poner en marcha la unidad.
- Use la unidad solamente con luz de día o con una buena luz artificial.
- Evite arranques accidentales. Permanezca en la posición de arranque siempre que tire de la cuerda de arranque. El operador y la unidad deben estar en una posición estable durante el arranque. Consulte *Arranque y Parada*.
- Utilice la herramienta apropiada. Use esta herramienta sólo para el propósito para el que fue diseñada.
- Sostenga siempre la unidad con ambas manos durante la operación. Sostenga firmemente ambas manijas o empuñaduras.

- No se extienda demasiado. Siempre debe estar bien afirmado y mantener el equilibrio adecuado. Tenga cuidado al trabajar sobre escalinatas, cuevas empinadas o pendientes. Para evitar lesiones graves, no haga funcionar la unidad desde una escalera de mano o un techo.
- Mantenga las manos, el rostro y los pies alejados de todas las piezas móviles. No toque ni intente detener las piezas móviles.
- No toque el motor, el alojamiento del engranaje ni el silenciador. Estas partes se ponen extremadamente calientes por el funcionamiento, incluso después de que se apaga la unidad.
- No opere la unidad a una velocidad mayor a la necesaria para la tarea. No haga funcionar la unidad a alta velocidad cuando no está en uso.
- No exija demasiado a la unidad. Si se usa a la velocidad para la que fue diseñada, realizará un trabajo más eficiente y seguro.
- Detenga siempre la unidad cuando la operación esté demorada o cuando camine de un lugar a otro.
- Antes de apoyar la unidad, siempre asegúrese de que el motor esté apagado y que todas las piezas móviles se hayan detenido.
- Si golpea un objeto extraño o si éste se engancha en la unidad, deténgala de inmediato y controle si se produjeron daños. No utilice la unidad hasta haber reparado el daño. No utilice la unidad si hay piezas sueltas o dañadas.
- Apague el motor y desconecte la bujía para realizar tareas de mantenimiento o reparación.
- Use sólo piezas de reemplazo y accesorios del fabricante del equipo original (OEM) para esta unidad. Los puede adquirir al distribuidor de servicio autorizado. Si usa cualquier otra pieza o accesorio, el usuario podría lesionarse gravemente o la unidad podría dañarse y se anularía la garantía.
- Mantenga limpia la unidad. Quite con cuidado cualquier resto de vegetación u otros residuos que puedan bloquear las piezas móviles.
- A fin de reducir el riesgo de incendio, reemplace el silenciador y el amortiguador de chispas si están averiados. Mantenga el motor y el silenciador libres de hierbas, hojas y de la acumulación excesiva de grasa o de carbono.
- Si la unidad comienza a vibrar en forma anormal, deténgala de inmediato. Inspeccione la unidad para determinar la causa de la vibración. La vibración por lo general indica que hay algún problema.

OTRAS ADVERTENCIAS DE SEGURIDAD

- El mantenimiento de la unidad debe ser minucioso.
- Todas las tareas de reparación, con excepción de los procedimientos de mantenimiento que se describen en este manual, deben ser realizados por un distribuidor de servicio autorizado.
- Nunca extraiga, modifique o deje inoperativo ningún dispositivo de seguridad que venga con la unidad.
- Antes de inspeccionar, limpiar, guardar o transportar la unidad, o de hacer tareas de reparación o mantenimiento o reemplazar alguna de sus piezas:
 1. Detenga la unidad.
 2. Asegúrese de que se hayan detenido todas las piezas móviles.
 3. Deje que la unidad se enfríe.
 4. Desconecte el cable de la bujía.
- Sujete la unidad durante el transporte.
- Nunca almacene la unidad con combustible en el depósito, en el interior de una construcción donde las emanaciones puedan alcanzar una llama abierta (luces piloto, etc.) o chispas (interruptores, motores eléctricos, etc.).
- Almacene la unidad en un lugar seco, asegurada o a una altura que evite que se la use sin autorización o se la dañe. Mantenga la unidad lejos del alcance de los niños.







- Nunca rocíe ni arroje chorros de agua ni de ningún otro líquido a la unidad. Mantenga las manijas secas y limpias (sin residuos, aceite ni grasa). Limpie la unidad luego de cada uso. Consulte *Limpieza y almacenamiento*. No utilice solventes o detergentes fuertes.
- Guarde estas instrucciones. Consúltelas con frecuencia y úselas para capacitar a otros usuarios. Si le presta esta unidad a otras personas, también debe prestarles estas instrucciones.

GUARDE ESTAS INSTRUCCIONES

• SÍMBOLOS INTERNACIONALES Y DE SEGURIDAD •

Este manual del operador describe símbolos de seguridad e internacionales, así como pictogramas, que pueden aparecer en este producto. Lea el manual del operador para obtener información completa sobre seguridad, montaje, funcionamiento, mantenimiento y reparaciones.

SÍMBOLOS SIGNIFICADO

	<ul style="list-style-type: none"> • SÍMBOLO DE ALERTA DE SEGURIDAD Indica peligro, advertencia o precaución. Puede utilizarse junto con otros símbolos o pictogramas.
	<ul style="list-style-type: none"> • LEA EL MANUAL DEL OPERADOR ADVERTENCIA: Lea el (los) manual(es) del operador y cumpla todas las advertencias e instrucciones de seguridad. Si no lo hace, el operador y/o los observadores pueden sufrir lesiones graves.
	<ul style="list-style-type: none"> • UTILICE PROTECCIÓN OCULAR Y AUDITIVA ADVERTENCIA: Los objetos que son arrojados por el aire y los ruidos fuertes pueden provocar graves lesiones oculares y pérdidas de audición. Cuando opere esta unidad, utilice protección ocular que cumpla con las normas ANSI / ISEA Z87.1 vigentes y protectores auditivos. Utilice una máscara que cubra todo el rostro si es necesario.
	<ul style="list-style-type: none"> • COMBUSTIBLE SIN PLOMO Utilice siempre combustible limpio, nuevo y sin plomo.
	<ul style="list-style-type: none"> • ACEITE Consulte el manual del operador para conocer el tipo adecuado de aceite.
	<ul style="list-style-type: none"> • NO UTILICE COMBUSTIBLE E85 EN ESTA UNIDAD ADVERTENCIA: Se ha demostrado que el combustible que contiene más de un 10% de etanol es probable que dañe este motor y anule la garantía.

SÍMBOLOS SIGNIFICADO

	<ul style="list-style-type: none"> • APAGADO/ENCENDIDO DE CONTROL DE PARADA ENCENDIDO / ARRANQUE / MARCHA
	<ul style="list-style-type: none"> • APAGADO/ENCENDIDO DE CONTROL DE PARADA APAGADO o PARADA
	<ul style="list-style-type: none"> • BULBO DEL CEBADOR Presione por completo el bulbo del cebador lentamente 10 veces.
	<ul style="list-style-type: none"> • CONTROL DEL ESTRANGULADOR <ol style="list-style-type: none"> 1. • Posición FULL (máximo) del estrangulador 2. • Posición PARTIAL (parcial) del estrangulador 3. • Posición RUN (funcionamiento) del estrangulador
	<ul style="list-style-type: none"> • LOS OBJETOS QUE SON ARROJADOS POR EL AIRE Y EL CORTADOR GIRATORIO PUEDEN PROVOCAR LESIONES GRAVES ADVERTENCIA: Es posible que se arrojen objetos pequeños por el aire a alta velocidad, lo cual puede provocar lesiones. Manténgase alejado del rotor giratorio.
	<ul style="list-style-type: none"> • MANTENGA ALEJADOS A LOS OBSERVADORES ADVERTENCIA: Mantenga a todos los observadores, especialmente a los niños y las mascotas, al menos a 50 pies (15 m) de la zona de trabajo.
	<ul style="list-style-type: none"> • SUPERFICIE CALIENTE ADVERTENCIA: No toque el silenciador o el cilindro cuando estén calientes. Puede quemarse. Estas piezas se calientan extremadamente durante el funcionamiento. Una vez apagadas, continúan calientes durante un período breve.
	<ul style="list-style-type: none"> • CUCHILLA AFILADA ADVERTENCIA: Hay una cuchilla afilada en el protector del accesorio de recorte. A fin de evitar lesiones graves, no toque la cuchilla de corte del hilo.

CONOZCA SU UNIDAD

APLICACIONES

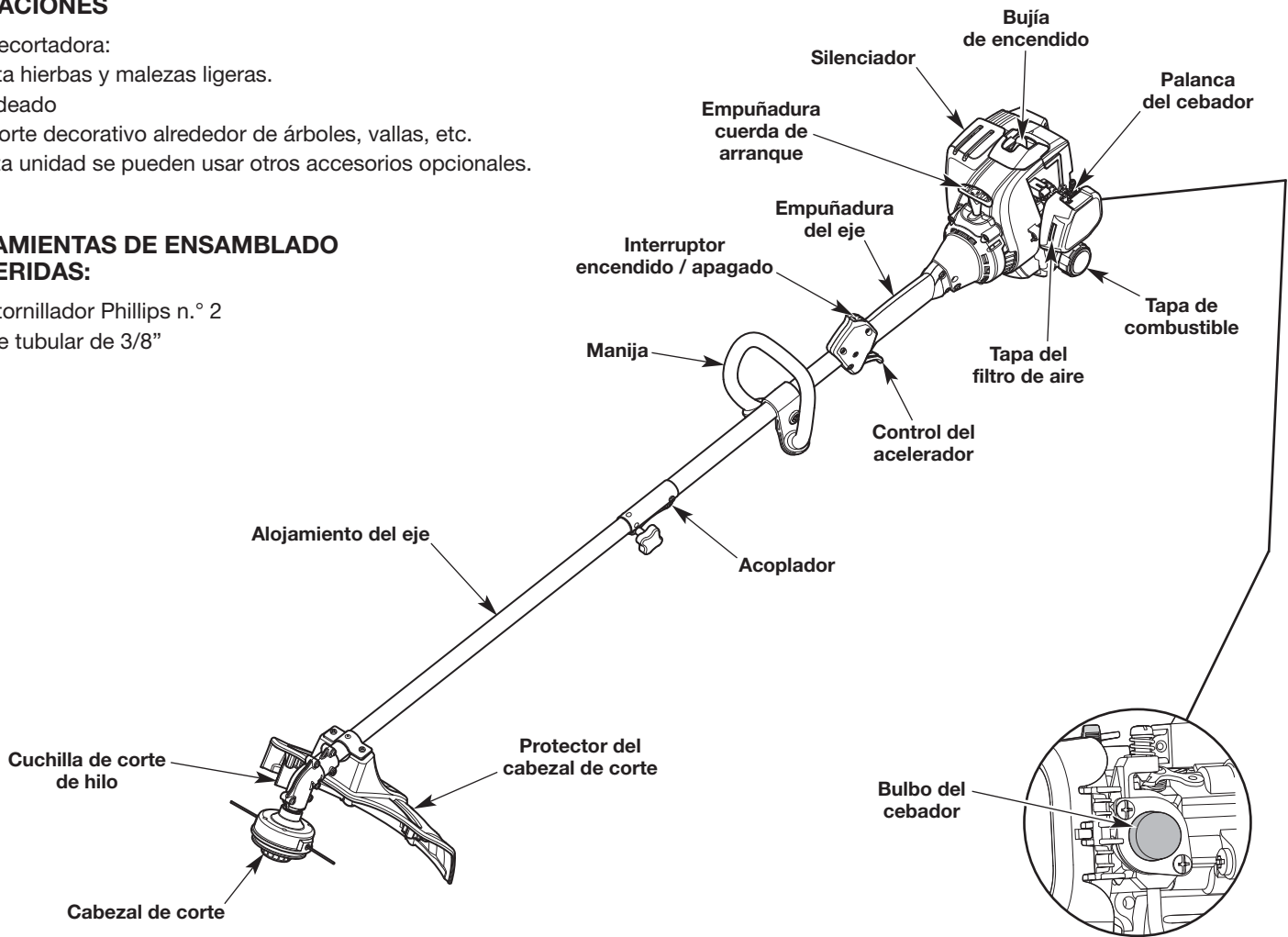
Como recortadora:

- Corta hierbas y malezas ligeras.
- Bordeado
- Recorte decorativo alrededor de árboles, vallas, etc.

Con esta unidad se pueden usar otros accesorios opcionales.

HERRAMIENTAS DE ENSAMBLADO REQUERIDAS:

- Destornillador Phillips n.º 2
- Llave tubular de 3/8"




ESPECIFICACIONES*

Tipo de motor	Refrigerado por aire, de 2 ciclos
Desplazamiento	25 cc (1.52 pulgadas cúbicas)
Separación de las bujías	0.025 pulgadas (0.635 mm)
Bujía de encendido	Champion® RDJ7J o bujía equivalente
Lubricación	Mezcla de combustible y aceite
Relación combustible/aceite	40:1
Capacidad del depósito de combustible	10 onzas (296 ml)
Peso aproximado de la unidad (sin combustible)	12 - 13 libras (5.4 - 5.9 kg)
Mecanismo de recorte	Cabezal de impacto
Hilo de recorte	0.095 pulgadas (2.41 mm)
Diámetro de la senda de corte	17 pulgadas (43.2 cm)

* Todas las especificaciones están basadas se basan en la información más reciente sobre el producto disponible al momento de la impresión. Nos reservamos el derecho a realizar cambios en cualquier momento sin previo aviso.

INSTALACIÓN DEL PROTECTOR DEL CABEZAL DE CORTE DE CORTE

	<p>ADVERTENCIA: A fin de evitar que se produzcan lesiones personales graves, no opere nunca la unidad sin el protector del cabezal de corte en su lugar.</p>
--	---

1. Ubique el protector del cabezal de corte sobre el soporte de montaje. Se deben alinear los orificios del protector del cabezal de corte con los orificios del soporte de montaje. (Fig. 1)
2. Enrosque los 2 tornillos a través del soporte de montaje y dentro del protector del cabezal de corte hasta que queden ajustados manualmente.
3. Con un destornillador Phillips n.º 2, ajuste los tornillos hasta que el protector del cabezal de corte quede firmemente en su lugar. Apriete los tornillos de manera uniforme. La separación que hay entre el soporte de montaje y el protector del cabezal de corte debe ser la misma a ambos lados.

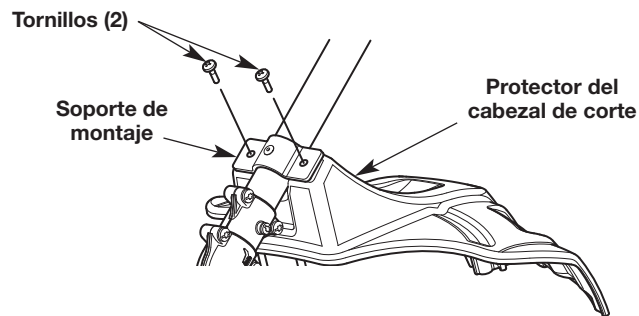


Fig. 1

INSTALACIÓN Y AJUSTE DE LA MANIJA

Instalación de la manija

1. Oprima la manija hacia abajo sobre el alojamiento del eje (Fig. 2). El orificio del perno de la manija debe quedar a la derecha.
2. Inserte el perno en el orificio del perno y oprímalo para que pase a través de él (Fig. 2). Apriete el perno con una llave tubular de 3/8" pero no apriete por completo.
3. Mientras sujeta la unidad en la posición de funcionamiento (Fig. 10), desplace la manija hasta la ubicación que le ofrece el mejor agarre. Ubíquela como mínimo a 6 pulgadas (15.24 cm) del extremo de la empuñadura del eje (Fig. 2).
4. Apriete el perno con una llave tubular de 3/8" hasta que la manija esté segura.

Ajuste de la manija

Si la manija requiere ajustes:

1. Afloje el perno con una llave tubular de 3/8" (Fig. 2).
2. Mientras sujeta la unidad en la posición de funcionamiento (Fig. 10), desplace la manija hasta la ubicación que le ofrece el mejor agarre. Ubíquela como mínimo a 6 pulgadas (15.24 cm) del extremo de la empuñadura del eje (Fig. 2).
3. Apriete el perno con una llave tubular de 3/8" hasta que la manija esté segura.

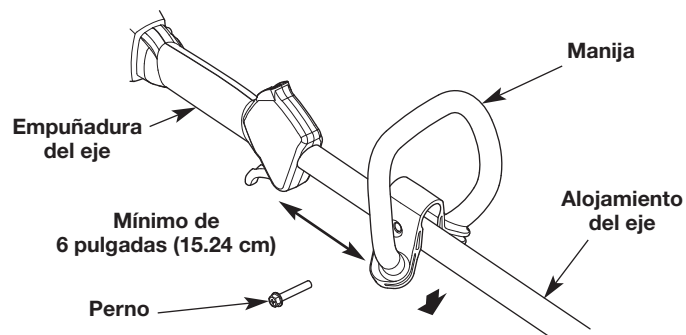


Fig. 2

ADVERTENCIA: Antes de comenzar a utilizar cualquiera de los accesorios, lea y comprenda el manual que viene con dicho accesorio. Tenga en cuenta toda la información de seguridad que incluye.

ADVERTENCIA: A fin de evitar lesiones personales graves y daños a la unidad, apáguela antes de extraer o instalar un accesorio.

FUNCIONAMIENTO DEL ACOPLADOR

El acoplador permite el uso de varios accesorios opcionales.

Instalación del accesorio

1. Quite la tapa del accesorio. De estar presente, extraiga el espaciador gris del acoplador.
2. Coloque la unidad en una superficie plana y nivelada.
3. Gire la perilla en el sentido contrario a las agujas del reloj para aflojar el acoplador (Fig. 3).
4. Alinee el botón de liberación con el embutimiento de la guía (Fig. 5).
5. Presione el accesorio directamente dentro del acoplador (Fig. 4) hasta que el botón de liberación encaje a presión firme del orificio principal (Fig. 5).
6. Gire la perilla en el sentido de las agujas del reloj para apretar el acoplador (Fig. 3).

PRECAUCIÓN: Antes de utilizar esta unidad, asegúrese de que el botón de liberación entre a presión completamente dentro del orificio principal y que la perilla quede bien ajustada.

PRECAUCIÓN: Este botón de liberación debe colocarse a presión solamente en el orificio principal a menos que se especifique lo contrario. Si se utiliza un orificio equivocado, se podrían producir lesiones personales o daños a la unidad.

Extracción del accesorio

1. Coloque la unidad en una superficie plana y nivelada.
2. Gire la perilla en el sentido contrario a las agujas del reloj para aflojar el acoplador (Fig. 3).
3. Oprima y mantenga apretado el botón de liberación (Fig. 5).
4. Tire del accesorio directamente hacia fuera del acoplador (Fig. 4).

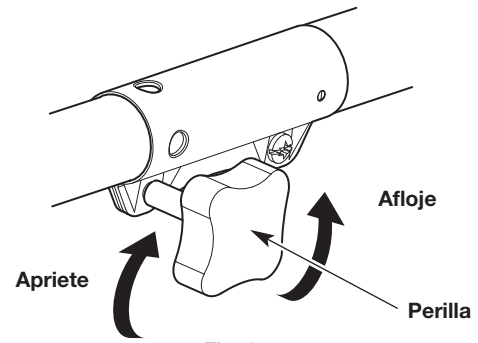


Fig. 3

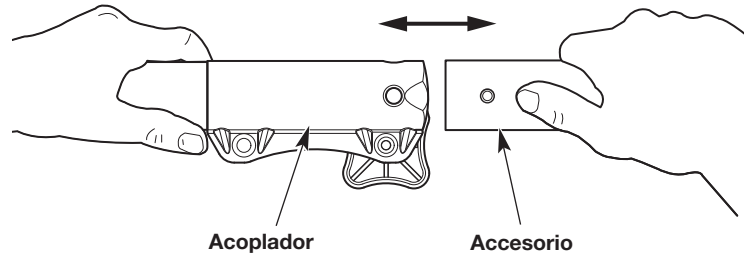


Fig. 4

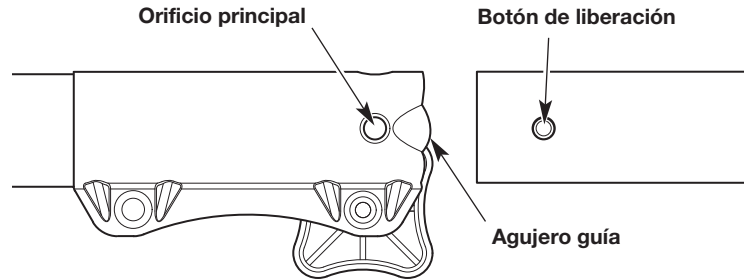


Fig. 5

ACEITE Y COMBUSTIBLE

INSTRUCCIONES PARA LA MEZCLA DEL ACEITE Y EL COMBUSTIBLE

El uso de combustible viejo y/o mal mezclado es la causa más frecuente de los problemas de rendimiento. Sólo se debe utilizar gasolina nueva, limpia y sin plomo. Siga atentamente las instrucciones para que la mezcla de gasolina/aceite sea adecuada.

Definición de combustibles mezclados


Actualmente los combustibles con frecuencia son una mezcla de gasolina y oxigenatos como etanol, metanol o éter (éter metílico terciario-butílico, MTBE). Los combustibles con mezcla de alcohol absorben el agua. Con tan solo un 1% de agua en el combustible es posible que el combustible y el aceite se separen, formando ácidos cuando se almacenan. SIEMPRE debe usar combustible nuevo (con menos de 30 días de antigüedad).

NOTA: Deseche el combustible usado de acuerdo con las normativas federales, estatales y locales.

Uso de combustibles mezclados

Si utiliza un combustible mezclado:

- Utilice siempre la mezcla de combustible nueva según se explica en el manual del operador
- Use el aditivo para combustible STA-BIL® u otro equivalente
- Agite siempre la mezcla de combustible antes de recargar combustible en la unidad
- Drene el depósito y ponga en marcha el motor en seco antes de almacenar la unidad


	ADVERTENCIA: NO UTILICE COMBUSTIBLE E85 EN ESTA UNIDAD. Se ha demostrado que el combustible que contiene más de un 10% de etanol es probable que dañe este motor y anule la garantía.
---	--

Uso de aditivos para el combustible



La botella de aceite de 2 ciclos que se suministra con esta unidad contiene un aditivo para combustible que ayuda a inhibir la corrosión y minimiza la formación de depósitos de goma. Utilice siempre la marca de aceite de 2 ciclos que vino con esta unidad. Si no está disponible, utilice un aceite de 2 ciclos que esté diseñado para motores enfriados por aire y mézclelo con un aditivo para combustible, como el estabilizador de combustible STA-BIL u otro equivalente. Agregue 0.8 onzas (23 ml) de aditivo para combustible por galón de combustible según las instrucciones del recipiente. NUNCA agregue aditivos para el combustible directamente al depósito de combustible de la unidad.

Mezcla del combustible

NOTA: La presente unidad viene con una botella de 3.2 onzas (95 ml) de aceite de 2 ciclos. Para obtener la mezcla de combustible correcta que se describe a continuación, vierta toda la botella dentro de un galón de gasolina sin plomo.


	PRECAUCIÓN: Para el funcionamiento correcto del motor y la máxima confiabilidad, preste mucha atención y siga estrictamente las instrucciones para la mezcla de la gasolina y el aceite que figuran en la botella de aceite de 2 ciclos. El uso de combustible que se mezcló incorrectamente puede dañar gravemente el motor.
---	--


Mezcle completamente la proporción adecuada de gasolina sin plomo con el aceite para motor de 2 ciclos. No los mezcle directamente en el depósito de combustible de la unidad. Use una lata de combustible separada. Utilice una proporción de 40:1 de gasolina/aceite. Consulte la tabla a continuación para conocer las proporciones específicas para mezclar la gasolina y el aceite.


	
Gasolina sin plomo	Aceite de 2 ciclos
1 galón EE. UU. (3.8 litros)	3.2 onzas líquidas (95 ml)
1 liter	25 ml

PROPORCIÓN DE LA MEZCLA - 40:1

CARGA DE COMBUSTIBLE EN LA UNIDAD

	ADVERTENCIA: La gasolina es extremadamente inflamable. Los vapores encendidos pueden explotar. Detenga siempre el motor y déjelo enfriar antes de llenar el depósito de combustible. No fume mientras llena el depósito. Mantenga las chispas y llamas abiertas a una distancia de la zona.
---	--

	ADVERTENCIA: Retire la tapa del combustible lentamente a fin de evitar lesiones ocasionadas por salpicaduras de combustible. Nunca opere la unidad si la tapa del combustible no está bien sujeta en su lugar.
---	---

	ADVERTENCIA: Agregue combustible en una zona al aire libre, limpia y bien ventilada. Limpie de inmediato la gasolina que se haya derramado. Evite que se genere una fuente de encendido para el combustible derramado. No arranque el motor hasta que se hayan disipado los vapores del combustible.
---	---

1. Ubique la unidad con la tapa del combustible orientada hacia arriba.
2. Extraiga la tapa de combustible.
3. Ubique el pico del recipiente de combustible dentro del orificio de llenado del depósito de combustible y llene el depósito.

NOTA: No llene en exceso el depósito de combustible.

4. Limpie el combustible que se pueda haber derramado.
5. Vuelva a colocar la tapa del combustible.
6. Mueva la unidad al menos 30 pies (9.1m) del recipiente de combustible y del sitio de carga de combustible antes de arrancar el motor.

ARRANQUE Y PARADA



ADVERTENCIA: Opere esta unidad solamente en un área exterior bien ventilada. El monóxido de carbono de los gases de escape puede ser letal en un área confinada.



ADVERTENCIA: Evite arrancar la unidad por accidente. A fin de evitar lesiones graves, el operador y la unidad deben estar en una posición estable al tirar de la cuerda de arranque (Fig. 8).

INSTRUCCIONES DE ARRANQUE

1. Mezcle la gasolina con el aceite. Consulte las *Instrucciones para mezclar el aceite y el combustible*.
2. Llene el tanque de combustible. Consulte *Abastecer de combustible la unidad*.

NOTA: No hay necesidad de encender la unidad. El interruptor de Encendido/Apagado debe estar en la posición ENCENDIDO (1) en todo momento (Fig. 6).

3. Oprima y suelte despacio la pera del cebador **10 veces** (Fig. 7). Si no se ve combustible en la pera del cebador, oprima y suelte la pera hasta que se vea el combustible.
4. Mueva la palanca del obturador a la **Posición 1** (Fig. 7).
5. Agáchese en la posición de arranque (Fig. 8).

NOTA: APRIETE y NO SUELTE el control del regulador en **TODOS** los pasos siguientes.

6. Apriete el control del regulador (Fig. 6) y tire de la cuerda **5 veces** con movimiento regulado y firme (Fig. 8).
7. Siga apretando el control del regulador. Mueva la palanca del obturador a la **Posición 2** (Fig. 7).
8. Siga apretando el control del regulador. Tire de la cuerda de arranque unas **3 a 5 veces** con movimiento regulado y firme para arrancar el motor.
9. Siga apretando el control del regulador. Deje que el motor se caliente de 30 a 60 segundos.
10. Siga apretando el control del regulador. Mueva la palanca del obturador a la **Posición 3** (Fig. 7) y siga calentando el motor otros 60 segundos. La unidad se puede usar en este momento.

NOTA: Cuando el motor acelera sin fallar, la unidad ya se calentó como es debido.

SI... el motor falla, mueva de nuevo la palanca del obturador a la **Posición 2** (Fig. 7) y siga calentándolo.

SI... el motor no arranca, comience el procedimiento de arranque por el paso 3.

SI... el motor no arranca después de unos cuantos intentos, ponga la palanca del obturador en la **Posición 3** y apriete el control del regulador. Tire de la cuerda de arranque unas **3 a 8 veces** con movimiento regulado y firme. El motor deberá arrancar. Si no lo hace, repita estas instrucciones.

SI... el motor ya está tibio, comience el procedimiento de arranque por el paso 7.

INSTRUCCIONES DE APAGADO

1. Suelte el control del regulador y deje que el motor trabaje en vacío.
2. Oprima y no suelte el interruptor de control de Encendido y Apagado en la posición APAGADO (0) hasta que el motor se detenga por completo (Fig. 6).

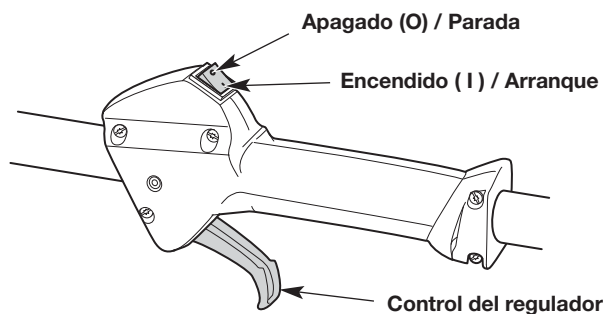


Fig. 6

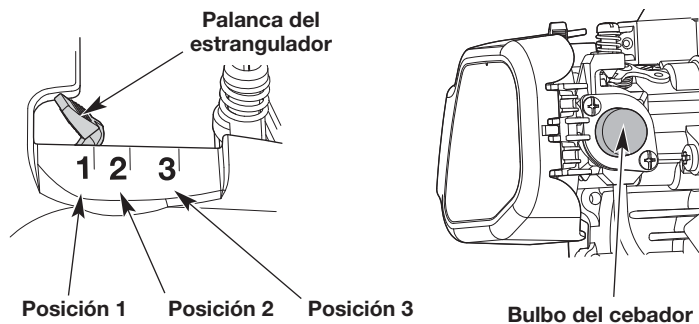


Fig. 7



Fig. 8

USO DEL ACCESORIO DE ARRANQUE ELÉCTRICO

Esta unidad se puede arrancar con un accesorio de arranque eléctrico opcional (artículos que se venden por separado). Consulte el manual del operador del accesorio de arranque eléctrico para obtener instrucciones para el uso adecuado de esta función.

Comuníquese con el distribuidor minorista local, llame al Departamento de Asistencia al Cliente o visite nuestro sitio web para obtener más información.

INSTRUCCIONES DE ARRANQUE

1. Mezcle la gasolina con el aceite. Consulte las *Instrucciones para mezclar el aceite y el combustible*.
2. Llene el tanque de combustible. Consulte *Abastecer de combustible la unidad*.

NOTA: No hay necesidad de encender la unidad. El interruptor de Encendido/Apagado debe estar en la posición ENCENDIDO (I) en todo momento (Fig. 6).

3. Oprima y suelte despacio la pera del cebador **10 veces** (Fig. 7). Si no se ve combustible en la pera del cebador, oprima y suelte la pera hasta que se vea el combustible.
4. Mueva la palanca del obturador a la **Posición 1** (Fig. 7).
5. Agáchese en la posición de arranque (Fig. 8).

6. Inserte el accesorio de arranque eléctrico dentro del orificio de arranque eléctrico (Fig. 9). Consulte la sección *Funcionamiento* del manual del operador del accesorio de arranque eléctrico.

NOTA: APRIETE y NO SUELTE el control del regulador en **TODOS** los pasos siguientes.

7. Apriete y mantenga oprimido el control del acelerador (Fig. 6). Ponga en marcha el accesorio de arranque eléctrico durante 2 segundos.
8. Siga apretando el control del regulador. Mueva la palanca del obturador a la **Posición 2** (Fig. 7).
9. Siga apretando el control del acelerador. Haga funcionar el accesorio de arranque eléctrico en intervalos de no más de 2 segundos cada vez hasta que arranque la unidad.
10. Retire el accesorio de arranque eléctrico de la unidad.
11. Siga apretando el control del regulador. Deje que el motor se caliente de 30 a 60 segundos.
12. Siga apretando el control del regulador. Mueva la palanca del obturador a la **Posición 3** (Fig. 7) y siga calentando el motor otros 60 segundos. La unidad se puede usar en este momento.

NOTA: Cuando el motor acelera sin fallar, la unidad ya se calentó como es debido.

Si... el motor falla, mueva de nuevo la palanca del obturador a la **Posición 2** (Fig. 7) y siga calentándolo.

Si... el motor no arranca, comience el procedimiento de arranque por el paso 3.

Si... el motor no arranca al cabo de unos pocos intentos, pase la palanca del estrangulador a la **Posición 3** y apriete el control del acelerador. Haga funcionar el accesorio de arranque eléctrico en intervalos de no más de 2 segundos cada vez hasta que arranque la unidad. El motor debe arrancar. Si no lo hace, repita esta instrucción.

Si... el motor ya está tibio, comience el procedimiento de arranque por el paso 8.

INSTRUCCIONES DE APAGADO

1. Suelte el control del regulador y deje que el motor trabaje en vacío.
2. Oprima y no suelte el interruptor de control de Encendido y Apagado en la posición APAGADO (O) hasta que el motor se detenga por completo (Fig. 6).

N.º de artículo

N.º de artículo	Descripción
49M2027P966	Arrancador eléctrico
49MESCBP966	Bit de arranque del motor
49MRBESY966	Arrancador eléctrico inalámbrico

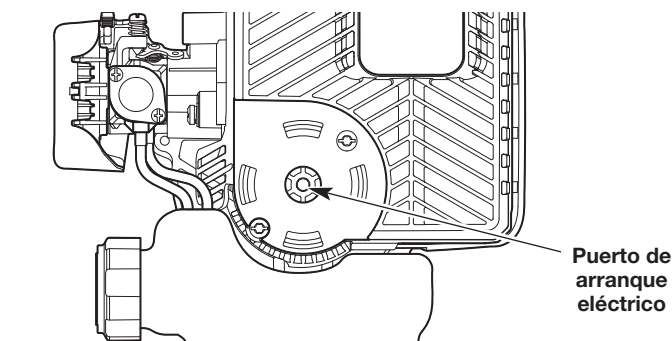


Fig. 9

CÓMO SOSTENER LA UNIDAD



ADVERTENCIA: Utilice siempre protección ocular, auditiva, de manos, pies y corporal para reducir el riesgo de sufrir lesiones durante la operación de esta unidad.



ADVERTENCIA: A fin de evitar lesiones personales graves, evite el contacto del brazo con el motor mientras opere la unidad. El motor puede estar muy caliente.

- Párese en la posición de arranque (Fig. 10). Párese derecho. No se incline sobre el aparato.
- Mantenga los pies alejados y apoyados firmemente sobre el suelo.
- Sujete la empuñadura del eje con la mano derecha. Mantenga el brazo derecho ligeramente doblado.
- Sostenga la manija con la mano izquierda. Mantenga el brazo izquierdo bien derecho.
- Mantenga la unidad al nivel de la cintura.
- Coloque el cabezal de corte a algunas pulgadas del suelo.



Fig. 10

AJUSTAR LA LONGITUD DE LA LÍNEA DE CORTE

Esta unidad está equipada con un cabezal de impacto. La línea de corte puede salir del cabezal de corte sin necesidad de detener el motor.

Para soltar más línea cuando opera la unidad a alta velocidad, golpee ligeramente la perilla percusiva contra el suelo (Fig. 11). Para obtener mejores resultados, golpee la perilla percusiva sobre terreno limpio o suelo duro. Intentar soltar línea en césped alto podría ahogar el motor.

NOTA: No apoye el cabezal de corte en el piso cuando la unidad esté funcionando.

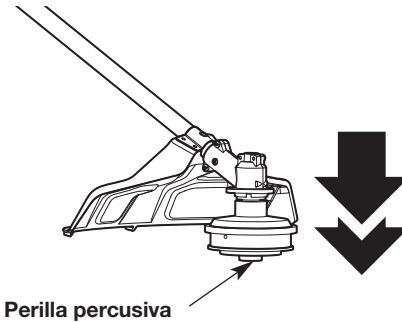
Cada vez que se golpea la perilla percusiva, se suelta alrededor de 1 pulgada (25.4 mm) de línea de corte.

NOTA: Mantenga siempre la línea de corte completamente extendida. Resulta más difícil soltar línea al acortarse la línea de corte.

Una cuchilla en el protector del cabezal de corte cortará la línea a la longitud correcta si se suelta demasiada línea.



PRECAUCIÓN: No quite ni altere el conjunto de la cuchilla de corte de la línea. Una línea demasiado larga hará que el motor se recaliente. Esto puede provocar graves lesiones personales o dañar la unidad.



Perilla percusiva

Fig. 11

CONSEJOS PARA OBTENER LOS MEJORES RESULTADOS

- Para alejar los recortes del operador, incline levemente el cabezal de corte hacia abajo a la izquierda, corte de derecha a izquierda siempre que sea posible.
- No recorte césped o malezas que estén húmedos.

NOTA: El hilo puede romperse:

- Si se enreda con objetos extraños
- Por la fatiga normal del hilo
- Si se intenta cortar plantas gruesas
- Si se empuja el hilo contra objetos como paredes o cercas

RECORTE DECORATIVO

Cuando recorte alrededor de árboles, postes, vallas, etc., rote toda la unidad de manera que el cabezal de corte quede en un ángulo de 30° en relación con el suelo (Fig. 12).

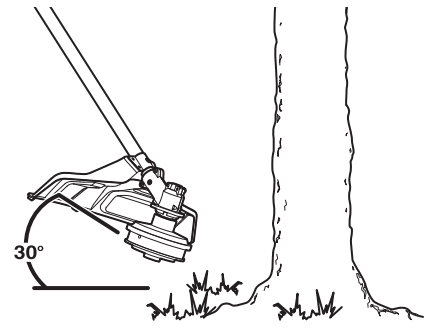


Fig. 12

BORDEADO

El accesorio de la recortadora puede ser utilizado para el bordeado (Fig. 13). De manera alternativa, también se pueden comprar accesorios de bordeadora de césped con cuchillas para utilizar con esta unidad.

Rotación del accesorio de la recortadora



ADVERTENCIA: A fin de evitar lesiones personales graves y daños a la unidad, apague la unidad antes de rotar el accesorio.

Cuando bordee alrededor de aceras, canteros, etc., rote el accesorio de la recortadora 90° dentro del acoplador. **NO** rote toda la unidad 90°.

1. Gire la perilla en el sentido contrario a las agujas del reloj para aflojar el acoplador (Fig. 3). Consulte *Funcionamiento del Acoplador* en la sección *Montaje*.
2. Oprima y mantenga apretado el botón de liberación (Fig. 5).
3. Rote el accesorio hasta que el botón de liberación entre a presión firmemente dentro del orificio de rebordes de 90° (Fig. 14).
4. Gire la perilla en el sentido de las agujas del reloj para apretar el acoplador (Fig. 3).



PRECAUCIÓN: Solamente coloque a presión el botón de liberación dentro del orificio de rebordes de 90° cuando esté rebordeando con el accesorio de recorte. Si se utiliza este orificio de rebordes de 90° con otros accesorios, se podrían producir lesiones personales o daños a la unidad.

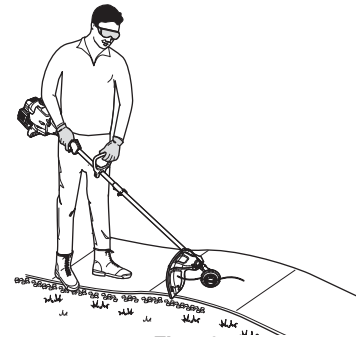
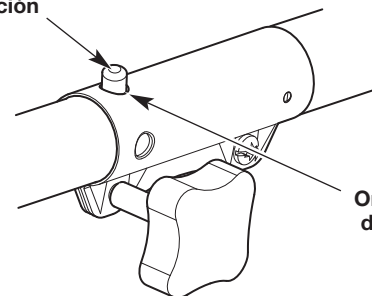


Fig. 13

Botón de liberación



Orificio de recorte de bordes de 90°

Fig. 14

Mantenimiento del hilo de recorte

Las superficies duras, tales como aceras pueden hacer que el hilo de recorte se desgaste rápidamente o se corte.

- Verifique con frecuencia y ajuste la longitud del hilo de recorte. Consulte la sección *Ajuste de longitud de hilo de recorte*. Siempre debe mantener el hilo de recorte completamente extendido.
- **NO** fuerce la unidad. Realice cortes poco profundos en tantas pasadas como sea necesario para lograr la profundidad deseada. Corte a un ritmo lento, uniforme.



ADVERTENCIA: Para evitar lesiones graves, nunca realice el mantenimiento ni las reparaciones con la unidad en funcionamiento. Siempre deje que se enfríe la unidad antes de hacer el mantenimiento o las reparaciones de la unidad. Desconecte el cable de la bujía para evitar que la unidad arranque accidentalmente.

PROGRAMA DE MANTENIMIENTO

Realice estos procedimientos de mantenimiento requeridos con la frecuencia establecida en la tabla. Estos procedimientos también deben realizarse como parte de la afinación estacional.

NOTA: Algunos procedimientos de mantenimiento pueden requerir herramientas o habilidades especiales. Si no está seguro acerca de estos procedimientos, lleve la unidad a un distribuidor de servicio autorizado de MTD.

NOTA: Los trabajos de mantenimiento, reemplazo o reparación de los dispositivos y los sistemas de control de emisiones puede realizarlos un distribuidor de servicio autorizado de MTD.

NOTA: Lea la declaración de California/EPA que recibió con la unidad para obtener un listado completo de las condiciones y la cobertura para los dispositivos de control de emisiones, tales como los amortiguadores de chispas, el silenciador, el carburador, etc.

FRECUENCIA	MANTENIMIENTO REQUERIDA
Cada 10 horas	<ul style="list-style-type: none"> • Limpie y vuelva a lubricar el filtro de aire. Consulte <i>Mantenimiento del filtro de aire</i>.
Cada 25 horas	<ul style="list-style-type: none"> • Controle el estado y la separación de la bujía de encendido. Consulte <i>Mantenimiento de la bujía de encendido</i>.

CAMBIAR LA LÍNEA DE CORTE

Use solo la línea de corte indicada en la sección *Especificaciones*. Otros tipos de hilo de recorte pueden causar el recalentamiento o la falla de la unidad.



ADVERTENCIA: No use nunca la línea reforzada con metal, alambre, cadena o soga. Los mismos pueden desprenderse y convertirse en un proyectil peligroso.

NOTA: Use siempre la longitud de línea correcta al instalar la línea de corte. Es posible que la línea no se suelte como es debido si es demasiado larga.

Parte 1 – Sacar el carrete interior

1. Sostenga la bobina exterior con una mano y desenrosque la perilla percusiva en sentido contrario a las agujas del reloj (Fig. 15).

NOTA: La bobina exterior permanecerá fija a la unidad.

2. Inspeccione el perno dentro de la perilla percusiva para verificar que se mueva con libertad. Cambie la perilla percusiva si está dañada.
3. Saque el carrete interior de la bobina exterior (Fig. 16).
4. Saque el resorte del carrete interior (Fig. 16).
5. Use un paño limpio para limpiar el carrete interior, el resorte, el eje y la superficie interior de la bobina exterior.
6. Compruebe que los dientes de posición y las ranuras de sujeción no estén desgastados (Fig. 17). Si fuera necesario, quite las rebabas o cambie el carrete interior y la bobina exterior.

Pase a la Parte 2 – Enrollar la nueva línea de corte en el carrete interior.

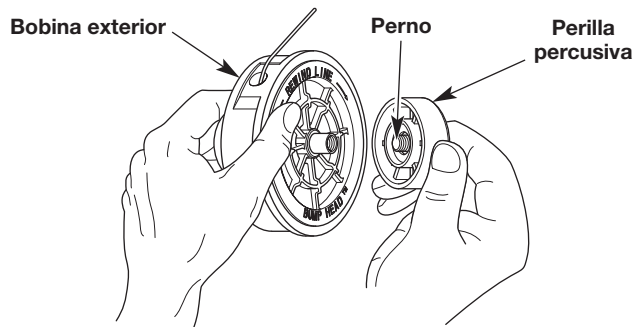


Fig. 15

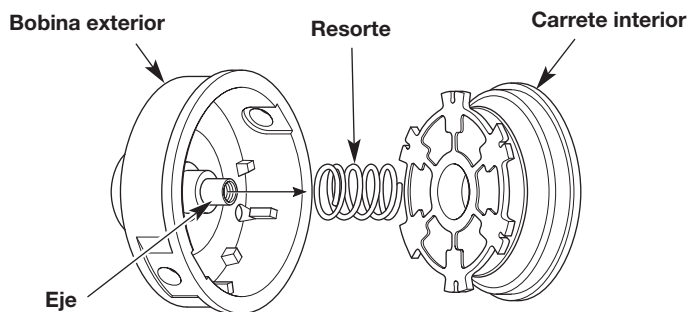


Fig. 16

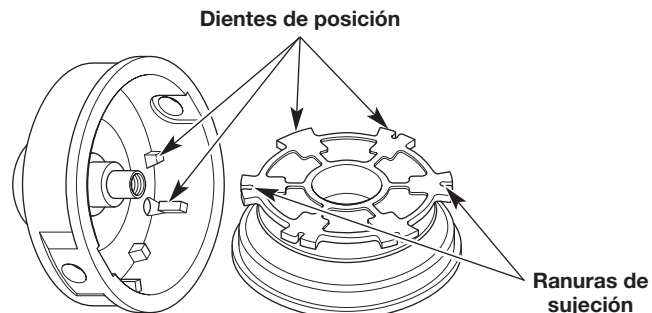


Fig. 17

Parte 2 - Enrollado del hilo de recorte nuevo en el carrete interior

- Si se utiliza un hilo simple, consulte *Enrollado de hilo simple*.
- Si se utiliza Split-Line, consulte *Enrollado de Split-Line*.
- Si se utiliza un carrete de hilo preenrollado, prosiga a la *Parte 3 – Instalación del carrete interior*.

Enrollado del hilo simple

1. Corte un largo de 12 pies (3.7 m) de hilo de recorte simple nuevo. Doble el hilo a la mitad para crear un lazo en el medio.
2. Inserte el lazo en la ranura del divisor (Fig. 18). Enrolle el hilo ajustado en el sentido que se indica en la parte inferior del carrete interior hasta que queden aproximadamente 6 pulgadas (150 mm) de hilo. Mantenga la mitad superior del hilo por encima del divisor y la mitad inferior del hilo por debajo del divisor.
3. Inserte las dos secciones de 6 pulgadas dentro de las dos ranuras de retención de 0.095 (Fig. 20).

NOTA: Si no se enrolla el hilo en el sentido que se indica, el cabezal de corte funciona de manera incorrecta.

Prosiga con la *Parte 3 – Instalación del carrete interior*.

Enrollado de Split-Line

1. Corte un largo de 6 pies (1.8 m) de hilo de recorte Split-Line. Separe cada extremo aproximadamente 6 pulgadas (150 mm).
2. Con uno de los extremos divididos, inserte un hilo dentro del orificio superior y otro hilo dentro del orificio inferior del carrete interior (Fig. 19).
3. Enrolle el hilo de manera que quede ajustado en el sentido que se indica en la parte inferior del carrete interior. El divisor dividirá automáticamente el hilo. Enrolle el hilo hasta que quede completamente dividido y queden aproximadamente 6 pulgadas (150 mm) de hilo.

NOTA: Si no se enrolla el hilo en el sentido que se indica, el cabezal de corte funciona de manera incorrecta.

4. Inserte las dos secciones de 6 pulgadas dentro de las dos ranuras de retención de 0.095 (Fig. 20).

Prosiga con la *Parte 3 – Instalación del carrete interior*.

Parte 3 – Instalación del carrete interior

1. Pase los extremos de los hilos a través de los ojales de la bobina exterior. Coloque el resorte dentro del carrete interior. Inserte el carrete interior dentro de la bobina exterior. Oprima el carrete interior y la bobina exterior uno contra otro (Fig. 21).

NOTA: Antes de reensamblar el cabezal de corte, se debe ensamblar el resorte en el carrete interior.

2. Mientras sujeta el carrete interior y la bobina exterior juntos, tire firmemente de los dos extremos del hilo para soltarlos de las ranuras de retención.
3. Mientras sujeta el carrete interior y la bobina exterior juntos, enrosque la perilla de impacto en el sentido de las agujas del reloj. Ajuste firmemente la perilla de impacto.

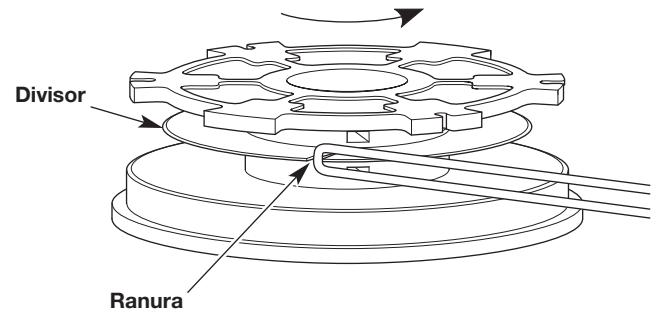


Fig. 18

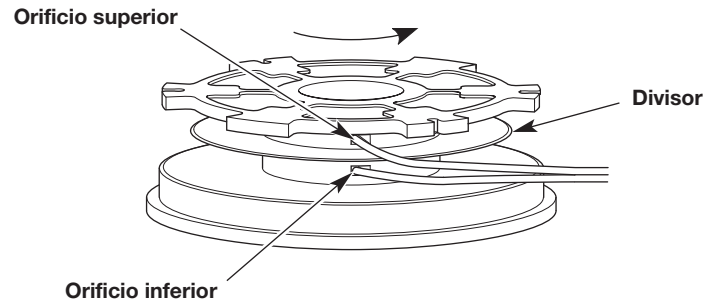


Fig. 19

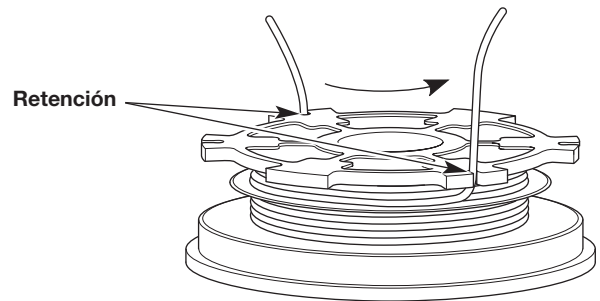


Fig. 20

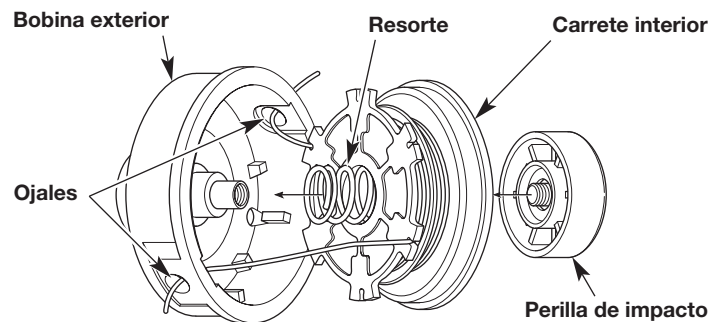


Fig. 21

MANTENIMIENTO DEL FILTRO DE AIRE



ADVERTENCIA: A fin de evitar lesiones personales graves, siempre pare el motor y deje que se enfríe antes de limpiar o mantener la unidad.

Si no se mantiene el filtro de aire se puede obtener un rendimiento insuficiente o se puede dañar el motor de manera permanente. Las averías del motor ocasionadas por un mantenimiento inadecuado del filtro de aire no están cubiertas por la garantía del producto.

Limpieza del filtro de aire

1. Abra la cubierta del filtro de aire: oprima la lengüeta de fijación y gire la cubierta del filtro de aire hacia la derecha (Fig. 22).
2. Extraiga el filtro de aire del interior de la cubierta del filtro de aire (Fig. 22).
3. Lave el filtro de aire con agua y detergente. Enjuague minuciosamente el filtro de aire y déjelo secar.
4. Cubra el filtro de aire con una capa ligera de aceite SAE 30 limpio.
5. Apriete el filtro de aire para distribuir y eliminar el exceso de aceite.
6. Reinstale el filtro de aire dentro de la cubierta del filtro de aire (Fig. 22).

NOTA: Si se opera la unidad sin el filtro de aire y sin la cubierta del filtro de aire se ANULARÁ la garantía.

7. Cierre la cubierta del filtro de aire: Gire la cubierta del filtro de aire hacia la izquierda y oprimala para cerrarla hasta que la lengüeta de fijación entra a presión en su lugar (Fig. 22).

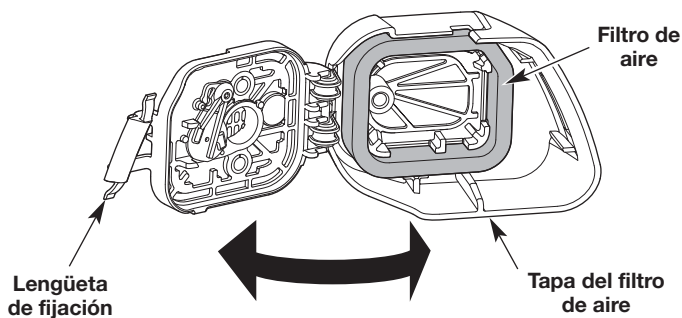


Fig. 22

AJUSTE DE LA VELOCIDAD DE RALENTÍ



ADVERTENCIA: El cabezal de corte puede girar durante los ajustes de la velocidad de ralentí. Utilice vestimenta de protección y respete todas las instrucciones de seguridad para evitar que se produzcan lesiones personales graves.

Si el motor no funciona al ralentí correctamente:

1. Drene el depósito de combustible y agregue combustible nuevo, que se haya mezclado adecuadamente. Consulte *Aceite y combustible*.
2. Limpie el filtro de aire. Consulte *Mantenimiento del filtro de aire*.

Si el motor no funciona al ralentí correctamente, ajuste la velocidad de ralentí:

1. Arranque el motor. Consulte *Arranque y Parada*.
2. Suelte el control del acelerador y deje que el motor funcione en ralentí.
 - Si el motor se para, aumente la velocidad de ralentí. Use un destornillador Phillips pequeño para girar el tornillo de velocidad de ralentí en el sentido de las agujas del reloj, 1/8 de giro cada vez hasta que el motor funciona al ralentí de manera uniforme (Fig. 23).
 - Si el cabezal de corte gira cuando el motor funciona al ralentí, reduzca la velocidad de ralentí. Gire el tornillo de velocidad de ralentí en el sentido contrario de las agujas del reloj, 1/8 de giro cada vez, hasta que se detenga el cabezal de corte (Fig. 23).

Si el motor todavía no funciona al ralentí correctamente y se presenta alguna de las siguientes condiciones, lleve la unidad a un distribuidor de servicio autorizado:

- el motor no funciona de manera uniforme o se detiene al acelerar
- existe una pérdida de potencia del motor

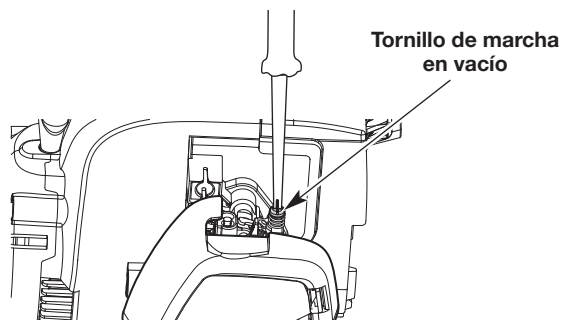


Fig. 23

MANTENIMIENTO DE LA BUJÍA

1. Detenga el motor y déjelo enfriar. Agarre firmemente la pipa (capucha) y sáquela de la bujía.
2. Limpie alrededor de la bujía. Saque la bujía de la culata girándola en sentido contrario a la agujas del reloj con una llave de bujía de 5/8 de pulgada.



ADVERTENCIA: No sople, raspe ni limpie los electrodos con arena. La arenisca en el motor podría dañar el cilindro.

3. Inspeccione la bujía. Si la bujía de encendido está rajada, corroída o sucia, reemplácela con una pieza de repuesto **#753-06193, Champion RDJ7J** o una bujía equivalente.
4. Use un calibrador de hoja para ajustar abertura de la bujía a **0.025 pulgadas (0.635 mm)** (Fig. 24).
5. Instale la bujía en la culata del motor. Apriete la bujía en el sentido de las agujas del reloj con una llave de bujía de 5/8 hasta ajustarla.

NOTA: Si usa una llave dinamométrica, use un par de torsión de: **110-120 pulgada•libra (12.3-13.5 N•m). No apriete demasiado.**

6. Vuelva a ponerle la pipa (capucha).

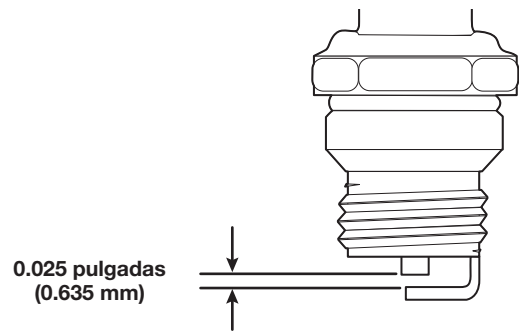


Fig. 24

LIMPIEZA



ADVERTENCIA: A fin de evitar lesiones personales graves, siempre pare el motor y deje que se enfríe antes de limpiar o mantener la unidad.

Use un cepillo pequeño para limpiar el exterior de la unidad. No utilice detergentes fuertes. Los productos de limpieza para el hogar que contienen aceites aromáticos como pino y limón, y los disolventes como el queroseno, pueden dañar el plástico. Limpie todo rastro de humedad con una tela suave.

ALMACENAMIENTO

- Nunca almacene la unidad con combustible en lugares donde las emanaciones pueden alcanzar llamas abiertas o chispas.
- Deje que se enfríe el motor antes de almacenar la unidad.
- Trabe la unidad para evitar que se la utilice sin permiso o que se provoquen daños.
- Almacene la unidad en una zona seca y bien ventilada.
- Almacene la unidad lejos del alcance de los niños.

Almacenamiento a corto plazo (1-2 semanas)

1. Almacene la unidad en posición horizontal. Si esto no es posible, almacene la unidad de manera vertical con el motor arriba.

Almacenamiento a largo plazo

1. Retire la tapa de combustible, incline la unidad y drene el combustible en un recipiente aprobado. Vuelva a colocar la tapa del combustible.
2. Arranque el motor y déjelo correr hasta que se detenga. Esto asegura que todo el combustible se haya drenado del carburador.
3. Espere a que el motor se enfríe. Quítele la bujía y eche 5 gotas de cualquier aceite de motor de 2 tiempos de alta calidad en el cilindro. Tire despacio de la cuerda de arranque para distribuir el aceite. Vuelva a poner la bujía.
4. Limpie minuciosamente la unidad e inspeccione si hay alguna pieza suelta o dañada. Repare o reemplace las piezas dañadas y ajuste los tornillos, tuercas o pernos que estén flojos.

Preparación de la unidad para su uso luego del almacenamiento a largo plazo

1. Retire la bujía y drene todo el aceite del cilindro.

NOTA: No use combustible que haya estado guardado durante más de 30 días. Deseche el combustible usado de acuerdo con las normativas federales, estatales y locales.

SOLUCIÓN DE PROBLEMAS

PROBLEMA	SOLUCIÓN
EL MOTOR NO ARRANCA	
El tanque de combustible está vacío	Llene el tanque de combustible con la mezcla adecuada
La pera del cebador no se oprimió lo suficiente	Oprima la pera del cebador 10 veces o hasta que se vea el combustible
El motor está rebosado	Mueva la palanca del obturador a la Posición 3, apriete el control de la válvula de velocidad y tire de la cuerda de arranque
El combustible está viejo (tiene más de 30 días) y/o mal mezclado	Vacíe el tanque de combustible y eche combustible nuevo bien mezclado
La bujía está corroída	Reemplace la bujía
EL MOTOR NO TRABAJA EN VACÍO	
El filtro de aire está sucio	Limpie o cambie el filtro de aire
El combustible está viejo (tiene más de 30 días) y/o mal mezclado	Vacíe el tanque de combustible y eche combustible nuevo bien mezclado
La marcha en vacío no es la correcta	Ajuste la velocidad de marcha en vacío
EL MOTOR NO ACELERA	
El combustible está viejo (tiene más de 30 días) y/o mal mezclado	Vacíe el tanque de combustible y eche combustible nuevo bien mezclado
El cabezal de corte está atascado de hierba	Apague el motor y limpie el cabezal de corte
El filtro de aire está sucio	Limpie o cambie el filtro de aire
AL MOTOR LE FALTA POTENCIA O SE PARA	
El combustible está viejo (tiene más de 30 días) y/o mal mezclado	Vacíe el tanque de combustible y eche combustible nuevo bien mezclado
El filtro de aire está sucio	Limpie o cambie el filtro de aire
La bujía está corroída	Reemplace la bujía
EL CABEZAL DE CORTE NO AVANZA LA LÍNEA	
El cabezal de corte está atascado de hierba	Pare el motor y limpie el cabezal de corte
El cabezal de corte no tiene línea	Rellénelo con línea nueva
El carrete interior está trabado	Rebobine la línea
El cabezal de corte está sucio	Limpie el carrete interior y la bobina exterior
La línea está soldada	Abra el cabezal de corte y quite la sección soldada
La línea está torcida	Rebobine la línea
No hay suficiente línea extendida	Pare la unidad, oprima la perilla de impacto y tire del hilo hasta que salgan 4 pulgadas (102 mm) fuera del cabezal de corte
LA LINEA DE CORTE AVANZA SIN CONTROL	
Hay aceite, limpiador o lubricante en el cabezal de corte	Limpie y seque bien el cabezal de corte

Si necesita asistencia adicional, comuníquese con un distribuidor de servicio autorizado.

GARANTÍA LIMITADA DEL FABRICANTE PARA:



La garantía limitada que se extiende a continuación es otorgada por la empresa Troy-Bilt LLC (Troy-Bilt) y cubre mercaderías nuevas compradas y utilizadas en los Estados Unidos, sus posesiones y territorios.

Troy-Bilt garantiza este producto por defectos materiales y de fabricación por un período de dos (2) años a partir de la fecha de la compra original y reparará o cambiará sin cargo cuando lo considere pertinente todas las piezas con defectos materiales o de fabricación. Esta garantía limitada sólo se aplicará si el producto ha sido operado y mantenido de acuerdo con las instrucciones del Manual del Operador que se proporciona con el producto y no ha sido sujeto a uso inapropiado, abuso, uso comercial, abandono, accidente, mantenimiento incorrecto, alteración, vandalismo, robo, incendio, inundación o algún daño debido a otro peligro o desastre natural. El daño resultante por la instalación o el uso de accesorios o uniones no aprobados por Troy-Bilt para su uso con el(los) producto(s) incluido(s) en este manual anulará la garantía en lo que respecta a esos daños. La presente garantía se limita a noventa (90) días a partir de la fecha de la compra minorista original por cualquier producto Troy-Bilt que se utiliza para fines comerciales o de alquiler, o para cualquier otro objetivo lucrativo.

CÓMO SOLICITAR Y OBTENER SERVICIO TÉCNICO: El servicio de la garantía está disponible, CON PRUEBA DE COMPRA A TRAVÉS DEL DISTRIBUIDOR LOCAL AUTORIZADO PARA EL MANTENIMIENTO. Para ubicar a un distribuidor en su área, visite nuestro sitio web en www.troybilt.com o www.troybilt.ca, consulte un listado en las Páginas Amarillas, llame al **1-800-828-5500** en los Estados Unidos o al **1-800-668-1238** en Canadá, o escriba a P.O. Box 361131, Cleveland, OH 44136-0019. No se aceptará ningún producto que sea enviado directamente a la fábrica sin que haya una previa autorización por escrito emitida por el Departamento de Asistencia al Cliente de Troy-Bilt.

Esta garantía limitada no suministra cobertura en los siguientes casos:

- A. Puestas a punto – Bujías, ajustes al carburador, filtros
- B. Artículos de desgaste – Perillas de impacto, bobinas exteriores, hilo de corte, carretes interiores, polea de arranque, cuerdas de arranque, correas de transmisión, motosierras, barras de guía, dientes de la cultivadora, cuchillas.
- C. Troy-Bilt no extiende ninguna garantía para los productos vendidos o exportados fuera de los Estados Unidos de América, sus posesiones y territorios, excepto para aquellos vendidos a través de los canales autorizados de distribución de exportaciones de Troy-Bilt.

Troy-Bilt se reserva el derecho a cambiar o mejorar el diseño de cualquier Producto Troy-Bilt sin asumir ningún tipo de obligación de modificar ningún producto fabricado previamente.

No se otorgan garantías implícitas, incluidas las garantías implícitas de comerciabilidad o de adecuación para un propósito determinado, después del periodo de garantía escrita expresa aplicable anteriormente mencionado para las piezas identificadas. Troy-Bilt no se verá comprometido por ninguna otra garantía expresa, oral o escrita sobre un producto, excepto la mencionada anteriormente, extendida por personas físicas o personas jurídicas, incluidos los distribuidores o los minoristas. Durante el plazo de la garantía el único recurso es la reparación o el reemplazo del producto como se indicó anteriormente. (Algunos estados no permiten las limitaciones a la duración de las garantías implícitas por lo que la limitación antes mencionada puede no serle de aplicación.)

Las disposiciones incluidas en esta garantía proveen el recurso único y exclusivo que surge de las ventas. Troy-Bilt no será responsable por pérdidas o daños incidentales o directos, incluyendo sin límites los gastos incurridos para los servicios de cuidado del pasto de reemplazo o cambio, los gastos de transporte o los gastos relacionados, o los gastos de alquiler para reemplazar de manera transitoria un producto bajo garantía. (Algunos estados no permiten las limitaciones a la duración de las garantías implícitas por lo que la limitación antes mencionada puede no serle de aplicación.)

En ningún caso se obtendrá una compensación mayor al monto del precio de compra del producto adquirido. La alteración de las características de seguridad del producto anulará esta garantía. Usted asume el riesgo y la responsabilidad por las pérdidas, daños o lesiones que sufra Usted y sus bienes y / o otras personas y sus bienes como consecuencia del uso, del uso incorrecto o de la imposibilidad de uso de este producto.

Esta garantía limitada alcanza solamente al comprador original, al arrendatario original o a la persona que recibió el producto de regalo.

Relación de la ley estadual con esta garantía: Esta garantía le otorga derechos legales específicos, pero usted podría gozar de otros derechos que varían en cada estado.

Para ubicar su distribuidor de servicio más cercano, marque **1-800-828-5500** en los Estados Unidos o **1-800-668-1238** en Canadá.

TROY-BILT LLC

P.O. Box 361131
Cleveland, OH 44136-0019